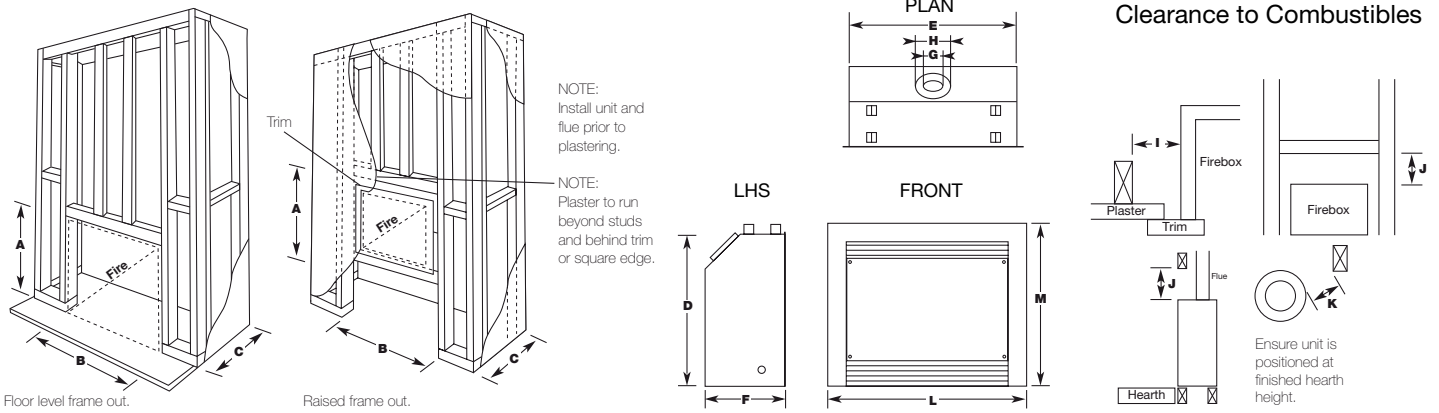
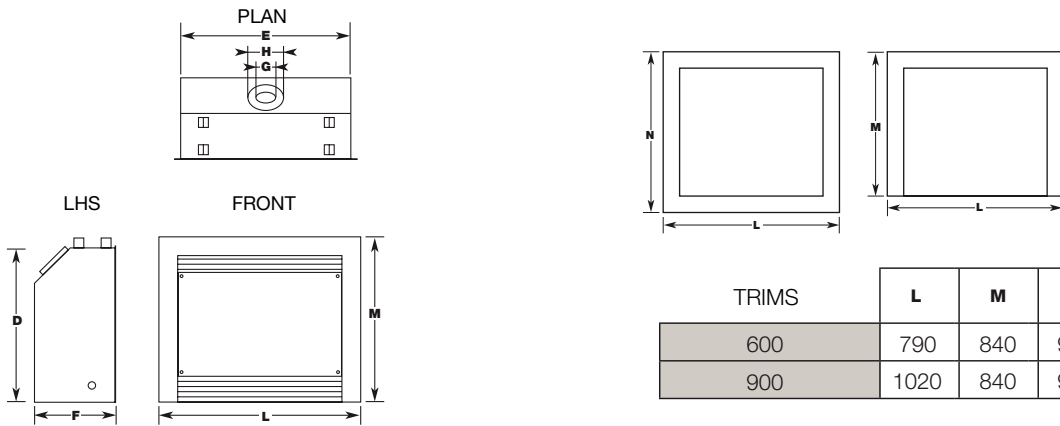


# SPECIFICATIONS & CONSTRUCTION



	A	B	C	D	E	F	G	H	I	J	K	L	M	NG Mj/h	LP Mj/h	KW OUTPUT	STAR RATING	GPO REQ'D	VENTILATION
600	890	690	475	785	580	380	100	180	50	100	50	790	840	26	26	5.89	4.50	YES	NOT REQUIRED
900	890	970	475	780	860	410	100	180	50	100	50	1020	840	30	30	6.93	4.06	YES	NOT REQUIRED

## TRIMS



TRIMS	L	M	N
600	790	840	930
900	1020	840	930

Warranty: Provided your Real Flame Gas Fire is installed by a licensed Gas Fitter in accordance with our Installation Instructions and operated in accordance with our Operating Manual, your Firebox is warranted for ten years and all other parts for one year from date of purchase. Refer to our website or our Installation and Operating Manual for a comprehensive warranty.

### Head Office/Factory/Showroom

1340 Ferntree Gully Road  
Scoresby VIC 3179  
T 03 8706 2000

### Showrooms

300 Swan St, Richmond, VIC  
T 03 9428 4443

2a Gordon Ave, Geelong West, VIC  
T 03 5229 0844

9 Lonsdale St, Dandenong, VIC  
T 03 9702 4707

546 Pacific Hwy, Chatswood, NSW  
T 02 8905 0189

36 Kareena Rd, Miranda, NSW  
T 02 8513 6202

173-175 Magill Rd, Norwood, SA  
T 08 8132 0371

46 Douglas St, Milton, QLD  
T 07 3368 2011

47-53 McDonald St East, Osborne Park, WA  
T 08 9444 9900

88 Wollongong St, Fyshwick, ACT  
T 02 6280 552

### Available from



Captiva 2014



**real flame**  
Leaders in  
Gas Fireplace  
Technology

## Elegant and efficient

Our Captiva 600 and 900 high-efficiency glass fronted fireplaces provide an impressive large-scale fire with exceptional heating capacities. Thanks to its balanced flue direct vent technology, this is an ideal fireplace for large rooms or situations where conventional flue methods are not possible. The Captiva is one of the most efficient gas fireplaces on the market. It is both a practical and stunning heating solution for any home.





# Captiva

600

900

- 🔥 Conceived, designed, researched, developed and built in Australia
- 🔥 Double glazed space heater, 600 heats up to 85m<sup>2</sup> and 900 heats up to 100m<sup>2</sup>
- 🔥 Balanced flue
- 🔥 Pebbles or Coals and Logs
- 🔥 New application
- 🔥 Traditional or contemporary
- 🔥 Full remote control function
- 🔥 Up to 4.5 star efficiency
- 🔥 Natural gas or LPG

