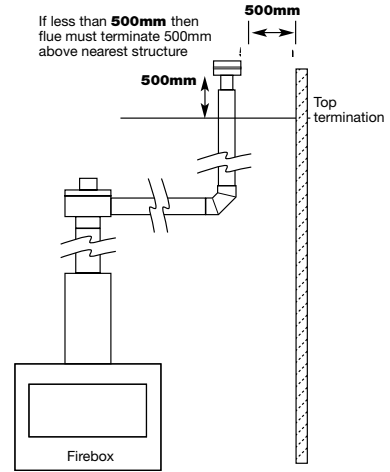
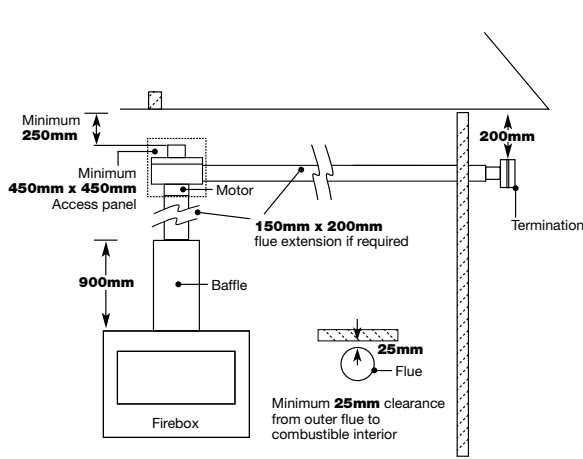


SPECIFICATIONS & CONSTRUCTION

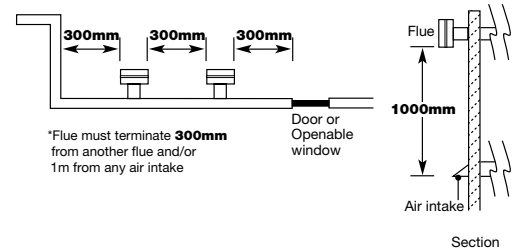
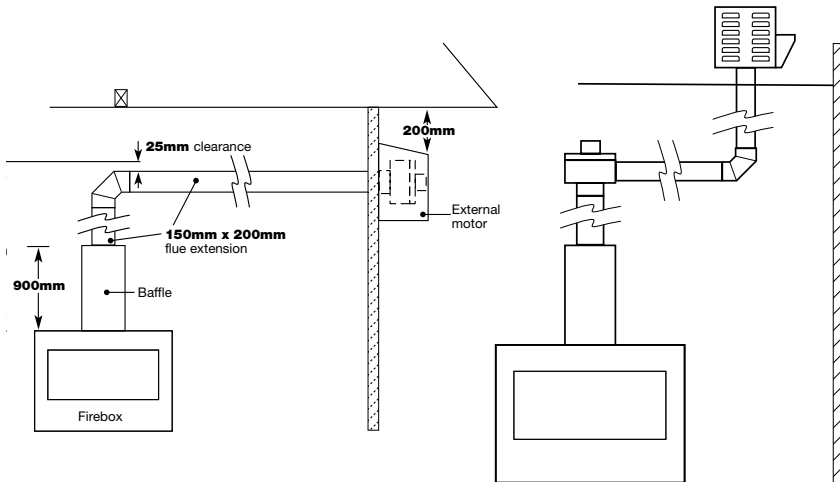
-  Double Vision
-  Elegance
-  Pure Vision
-  Hot Box
-  Simplicity
-  Heatseeker
-  Signature

The power flue enables the installation of open fronted gas fireplaces in virtually any situation with a horizontal flue run of up to 13.5m incorporating up to four 90° or 45° bends.

INTERNAL MOTOR



EXTERNAL MOTOR



These notes must be read in conjunction with AS5601-2004.

N.B. Horizontal flue run up to 13.5m incorporating up to four 45° or 90° bends. If your requirement is for a longer run and/or needing more bends submit a detail for our written evaluation.

Warranty: Provided your Real Flame Gas Fire is installed by a licensed Gas Fitter in accordance with our Installation Instructions and operated in accordance with our Operating Manual, your Firebox is warranted for ten years and all other parts for one year from date of purchase. Refer to our website or our Installation and Operating Manual for a comprehensive warranty.

Head Office/Factory/Showroom

1340 Ferntree Gully Road
Scoresby VIC 3179
T 03 8706 2000

Showrooms

300 Swan St, Richmond, VIC
T 03 9428 4443

2a Gordon Ave, Geelong West, VIC
T 03 5229 0844

9 Lonsdale St, Dandenong, VIC
T 03 9702 4707

546 Pacific Hwy, Chatswood, NSW
T 02 8905 0189

36 Kareena Rd, Miranda, NSW
T 02 8513 6202

173-175 Magill Rd, Norwood, SA
T 08 8132 0371

46 Douglas St, Milton, QLD
T 07 3368 2011

47-53 McDonald St East, Osborne Park, WA
T 08 9444 9900

88 Wollongong St, Fyshwick, ACT
T 02 6280 552

Available from



For detailed specifications visit www.realflame.com.au

Power Flue 2014

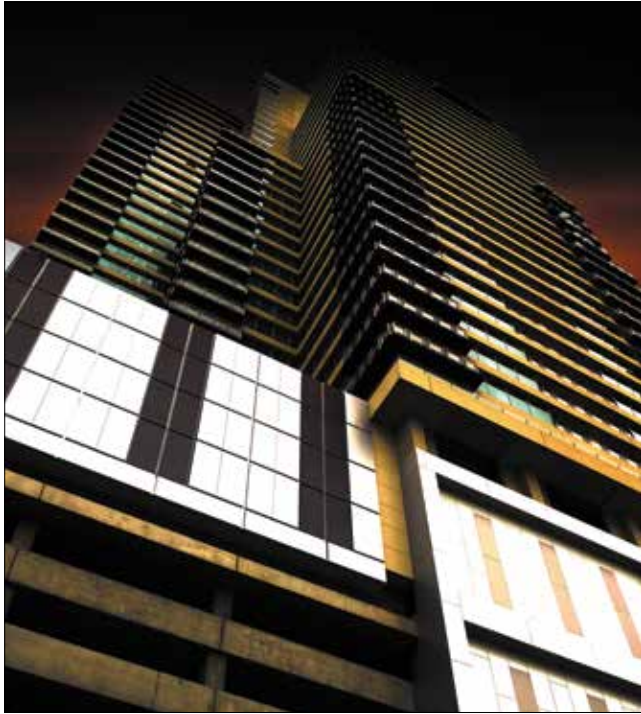


real flame
Leaders in
Gas Fireplace
Technology

Real Flame pioneered the first AGA approved power flue system in 2004. Prior to its development, open fronted gas fires were restricted to using a vertical flue which prevented installations in many situations such as the ground floor in two-storey homes or apartments.

The Power Flue enables the installation of open fronted gas fireplaces in virtually any situation with a horizontal or vertical flue run of up to 13.5m and incorporating up to four 90-degree bends. Longer runs with more bends are possible, however, Real Flame must approve these in writing.

The Real Flame Power Flue system has been incorporated with great success in a wide range of prestige projects around Australia.



The Real Flame Power Flue system has been used with great success in many applications including the prestigious Melbourne high rise development "Royal Domain Tower".



"The Power Flue system was used in this stunning installation to ensure the integrity of the building's facade was not compromised."

Power Flue



B|E|C|T|O|N

"After analysis of various products available to us Becton East Melbourne Constructions awarded Real Flame for the supply of gas fireplaces for the One East Melbourne Project."

Paul McIntyre
Project Manager



THE BRIGHTON
SAVOY

"We are delighted with our finished project - no matter what the weather, our guests love congregating around an open fire with a glass of wine and a good book."

Given the number of trades and design elements involved in a "big/little project", Real Flame was there every step of the way. Often ahead of time and assisting in overcoming obstacles, ensuring a great outcome. I cannot speak highly enough of the incredible and professional service Real Flame provided."

Jennifer R Lee -
Brighton Savoy