



RANGEHOOD



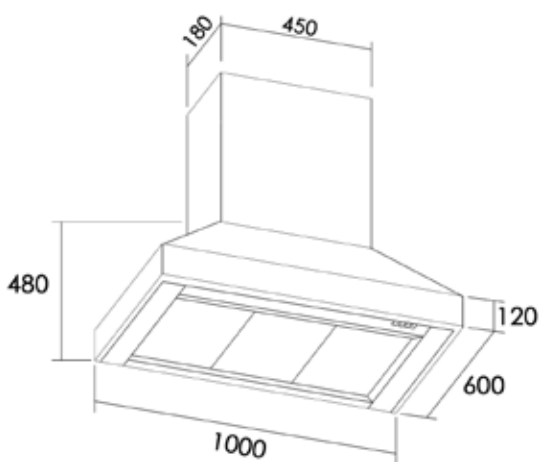
With high air movement and low noise emission, the AGA Rangehood is available in either brushed stainless steel or powder coated in a range of colours to compliment any AGA Kitchen.

The AGA Rangehood is a 3-flare wall mounted unit with 2 motors moving up to 900 cubic metres of air per motor per hour. The rangehood is fitted with LED lighting and has dishwasher-safe stainless steel filters that lock into place. Standard dimensions of an AGA Rangehood are 1000mm x 600mm with a body height of 480mm and the standard maximum height (including body) is 1680mm.

Ducting is sold separately and is non-flammable, rigid. Zinc-alume ducting or stainless steel optional.

The AGA Rangehood not only ventilates, but also removes steam, heat, grease and odours from the kitchen and of course comes with an AGA badge.

The AGA Rangehood is made locally in Victoria by Condari (QASAIR), manufacturers of excellence and a leader in kitchen ventilation.



RANGEHOOD

the **AGA** shop australia

(03) 9521 4965

330 Malvern Road
Prahran Vic 3181

info@agashopaustralia.com
www.agashopaustralia.com