

Options & Accessories

Stanley Cookbook

Cooks love their Stanley! Handcrafted from cast iron, it is perfect for baking and wonderful for slow-cooking casseroles and roasts. To help you get to know your Stanley, we have produced this cookbook containing many recipes that are ideally suited to the exceptional qualities of Stanley Range Cookers.



Stanley plate rack & splashback

A cast iron plate rack and splashback provide a stylish and practical way to keep plates and serving dishes warm. The plate rack and splashback are available in a range of colours to match your range cooker.



Stanley Cookware

For the best cooking performance on your Stanley Range Cooker, it is imperative that a heavy based machine ground pot or pan is used. The 5 piece range of Stanley cast iron cookware has been specifically designed to optimise range cooking performance – bringing out the true flavour of your food.



Stanley Cleaners

We recommend the use of Stanley Enamel cleaners on all Stanley range cookers. The cleaners have been specially formulated to clean and maintain the enamel finish. For those models with stainless steel or chrome trim, we also have a stainless steel cleaner.



Installation

For generations, Stanley Range Cookers have been renowned for their durability, superb efficiency and powerful performance. When it comes to ensuring your new range cooker's safe and efficient operation we recommend using a Stanley approved installer. For total peace of mind, we recommend having a site survey carried out before purchase.

Servicing

In order to ensure the efficient operation of your range cooker, the unit must be thoroughly cleaned on a regular basis and the corresponding chimney system cleaned every six months.

Warranty

Waterford Stanley will replace free of charge, any working part that fails (under normal operating conditions) within 12 months of purchase.

Spare Parts

Your local Stanley dealer will be pleased to supply spare parts and to provide any other information you require.



All Stanley Woodburning range cookers are manufactured in Waterford, Ireland.



Authorised distributor:

Castworks
PO Box 54
Pascoe Vale South VIC 3044
Tel: (03) 9354 4666
Fax: (03) 9354 9971
info@castworks.com.au
www.castworks.com.au

castworks
home heating specialists

www.waterfordstanley.com



Woodburning Range Cookers



Woodburning Range Cookers

For generations Stanley's woodburning range cookers have brought warmth to homes and hot food to families. Today, woodburning is an increasingly popular lifestyle and economic choice for many homes. Each Stanley woodburning model combines classic good looks with durability. With three models to choose from, and heating, hot water and cooking options available, Stanley range cookers are in harmony with today's busy lifestyle.



Donard Dimensions

Front view	A	B	C	D	E	F*	G
Metric (mm)	885	920	1320	995	145	480	195

Side view	H	J	M	N
Metric (mm)	230	590	N/A	150

* width from back of cooker to front of doors is 530mm

Floor Protector Requirements

Must protrude 300mm in front - all models
Required thickness 25mm

Errigal Dimensions

Front view	A	B	C	D	E	F
Metric (mm)	880	905	510	950	452	452

Side view	G	H	J	K	L	M	N
Metric (mm)	1390	565	290	725	225	590	135

Floor Protector Requirements

Must protrude 300mm in front - all models
Required thickness 25mm

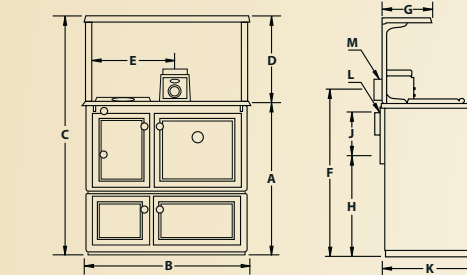
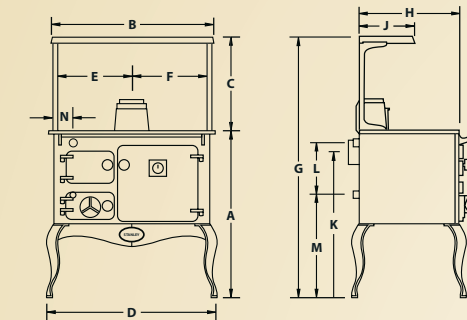
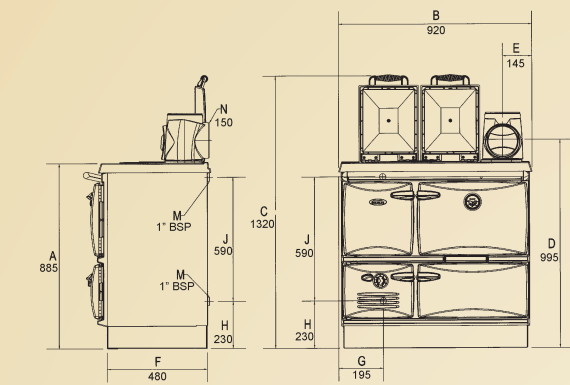
Comeragh Dimensions

Front view	A	B	C	D	E
Metric (mm)	920	890	1485	565	450

Side view	F	G	H	J	K	L	M
Metric (mm)	1002	305	610	251	575	N/A	127

Floor Protector Requirements

Must protrude 300mm in front - all models
Required thickness 25mm



Recommended Fuel

Stanley Range Cookers operate best on seasoned hardwood with a moisture content between 15-18%.



Donard

The Donard combines classic range cooker styling with exceptional performance.

Features

- Twin hotplate covers
- Large capacity main oven
- Second warming oven
- Heats up to 10 radiators
- Front firebox loading

Dimensions

Height 885mm
(1450mm with splashback and plate rack)
Width 920mm
Depth 600mm
Fuel box suitable for 380mm logs
Weight 420kg

Accessories

- Plate rack and splashback
- Chrome hot plate covers
- Stanley enamel cleaner
- Cast iron cookware set

Efficiency

- 68% efficient when burning wood only

Colours available for the Donard*



1 Forest Green 2 Blue 3 Black 4 Cream (shown above) 5 Claret 6 Mink

Errigal

The Errigal's surface can be extended with optional side shelves, giving you valuable working space.

Features

- Large firebox
- Full width cooking surface
- Large capacity main oven
- Domestic hot water and dry cooker models available
- Front or top firebox loading

Dimensions

Height 880mm
(1390mm with splashback and plate rack)
Width 900mm
Depth 615mm
Fuel box suitable for 350mm logs
Weight 325kg

Accessories

- Plate rack and splashback
- Overhead cupboard and splashback (shown above)
- Optional hotplate cover
- Side shelves
- Stanley enamel cleaner
- Cast iron cookware set

Colours available for the Errigal*



1 Forest Green 2 Blue 3 Matt Black 4 Cream 5 Black Enamel (shown above) 6 White

*Blue available as special order

Comeragh

The Comeragh is designed with a large capacity roasting oven and a substantial hotplate.

Features

- Large capacity roasting oven
- Hotplate with graded heating areas
- Insulating cover as standard

Dimensions

Height 920mm
(1485 with splashback and plate rack)
Width 890mm
Depth 600mm
Fuel box suitable for 350mm logs
Weight 350kg

Accessories

- Plate rack and splashback
- Stanley enamel cleaner
- Cast iron cookware set

Colours available for the Comeragh*



1 Mink (shown above) 2 Cream 3 Black Enamel*

*Black available as special order

*Print colours may not necessarily reflect the actual colour of range. Drop in to your local Stanley stockist for precise colours.

Model Specifications

Features	Donard	Comeragh	Errigal
Function			
Solid Hotplate Cooking	•	•	•
Domestic Hot Water	•	•	•
Output and Electricity ¹			
Average Number of Radiators	6	n.a.	n.a.
KW	13.8	3	3

Features	Donard	Comeragh	Errigal
Clearances to Combustible Surfaces - below Hob			
Left	35mm	35mm	100mm
Right	35mm	35mm	150mm
Rear	25mm	25mm	25mm
Clearances to Combustible Surfaces - above Hob			
Left	300mm	300mm	450mm
Right	300mm	300mm	400mm

¹ Solid fuel cookers don't require electricity, however if there is a central heating unit boiler electricity will be required for the circulating pump.

*Clearances only apply to units with splash back fitted. See installation guide for further detail.

Hotplate and Oven Dimensions

Features	Metric (mm)			Ovens			
	Width	Height	Depth	Main Oven Capacity (litres)	49	51	53
Donard							
Hotplate	560	-	330				
Roasting Oven	390	310	406				
Simmering Oven	390	220	406				
Comeragh							
Hotplate	268	-	252				
Simmer Plate	390	-	246				
Roasting Oven	400	324	396				
Simmering Oven	492	300	435				
Storage Compartment	325	300	435				
Errigal							
Hotplate ²		911.25 cm ²					
Roasting Oven	400	330	400				

² Errigal hotplate consists of four separate cooking plates

