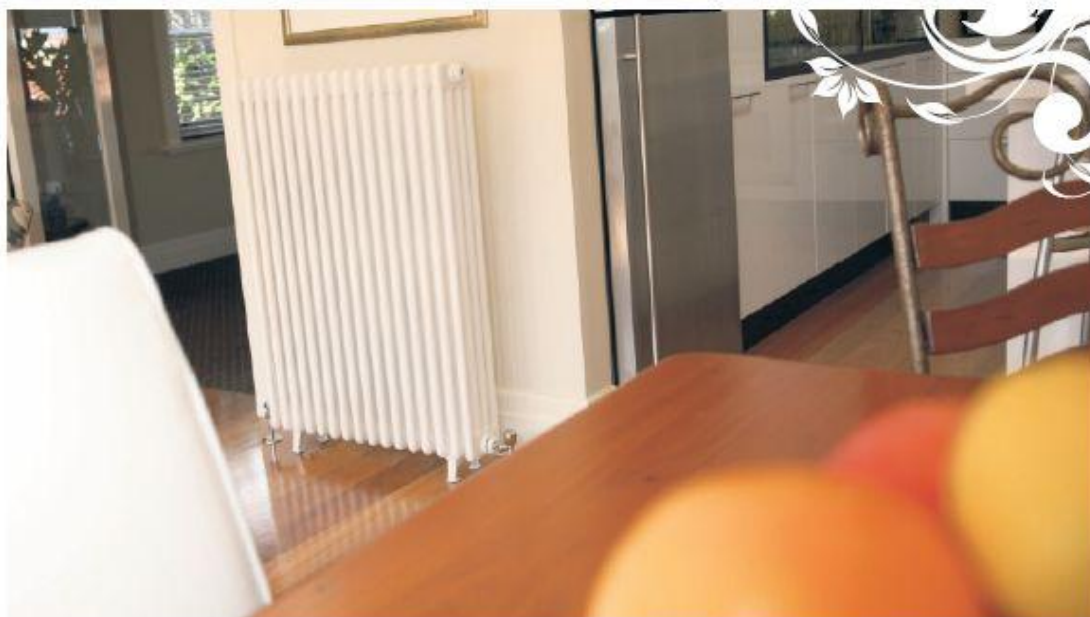


STEEL TUBULAR RADIATORS



ELEGANT AND STYLISH

Contemporary, elegant and stylish – tubular radiators can be used as an architectural feature of your home while combining looks and warmth in one superior product.

Manufactured with great attention to appearance – a key feature of the tubular radiators is the perfectly smooth lustrous finish without any traces of weld joints, allowing you to make a statement or blend with any interior décor.

If you need confirmation of quality, every De Longhi radiator has a 15 year guarantee against design or manufacturing defects from the date of installation.

finishes

High gloss white.

measurements

Available as 2, 3, 4, 5, 6 columns in various heights Each section width 46mm.

Radiators supplied to order only

For full details PTO

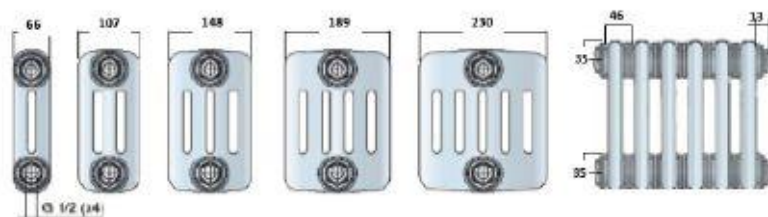
STEEL TUBULAR RADIATORS

TABLES BASED ON ΔT 50 °C MEAN WATER TEMPERATURE IN RADIATOR OF 70 °C AND ROOM TEMPERATURE OF 20 °C - ΔT 60 °C MEAN WATER TEMPERATURE IN RADIATOR OF 80 °C AND ROOM TEMPERATURE OF 20 °C - RADIATOR OUTPUTS TO EN442 STANDARD

Height	Ø Columns	Output kW Δt 50 Δt 60	Height	Ø Columns	Output kW Δt 50 Δt 60	Height	Ø Columns	Output kW Δt 50 Δt 60	Height	Ø Columns	Output kW Δt 50 Δt 60
300	2	0.024 0.030	750	2	0.055 0.069	1500	2	0.106 0.135	2500	2	0.180 0.229
	3	0.033 0.042		3	0.074 0.094		3	0.144 0.183		3	0.246 0.312
	4	0.042 0.053		4	0.100 0.126		4	0.194 0.247		4	0.322 0.409
	5	0.052 0.065		5	0.119 0.151		5	0.228 0.291		5	0.380 0.483
400	6	0.062 0.078	900	6	0.144 0.183	1800	6	0.276 0.351	2800	6	0.452 0.576
	2	0.031 0.039		2	0.065 0.082		2	0.128 0.162		2	0.204 0.259
	3	0.042 0.053		3	0.088 0.111		3	0.174 0.221		3	0.279 0.354
	4	0.055 0.070		4	0.119 0.150		4	0.232 0.295		4	0.362 0.458
500	5	0.067 0.085	1000	5	0.141 0.179	2000	5	0.273 0.349	3000	5	0.427 0.542
	6	0.081 0.102		6	0.171 0.217		6	0.329 0.419		6	0.506 0.644
	2	0.038 0.048		2	0.072 0.091		2	0.142 0.181		2	0.218 0.277
	3	0.052 0.065		3	0.097 0.123		3	0.194 0.246		3	0.302 0.383
600	4	0.068 0.086	1200	4	0.131 0.166	2200	4	0.258 0.328	Other heights available on request	4	0.388 0.491
	5	0.082 0.104		5	0.155 0.197		5	0.302 0.387		5	0.459 0.583
	6	0.099 0.125		6	0.188 0.240		6	0.364 0.464		6	0.542 0.690
	2	0.045 0.056		2	0.086 0.108		2	0.157 0.200			
600	3	0.061 0.076	1200	3	0.116 0.147	2200	3	0.214 0.272			
	4	0.081 0.102		4	0.157 0.198		4	0.283 0.360			
	5	0.097 0.122		5	0.185 0.235		5	0.333 0.425			
	6	0.117 0.149		6	0.224 0.285		6	0.399 0.508			

Each section width 46mm

INSTALLING DIMENSIONS DE LONGHI STEEL TUBULAR RADIATORS

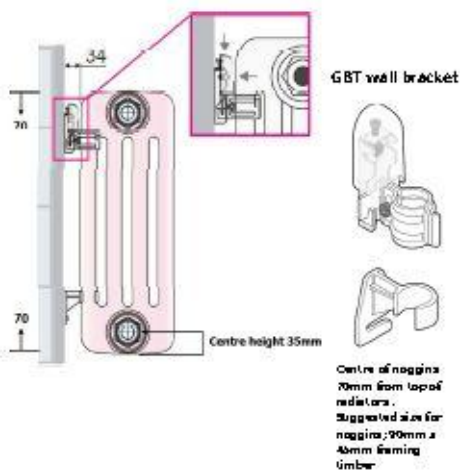


OPTIONAL INSTALLATION WITH FEET (AVAILABLE AT EXTRA COST)

TYPE A FOOT FOR 2 COLUMN

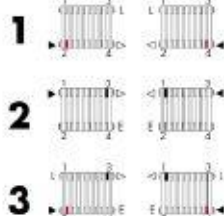


TYPE B FOOT FOR ALL OTHER SECTIONS



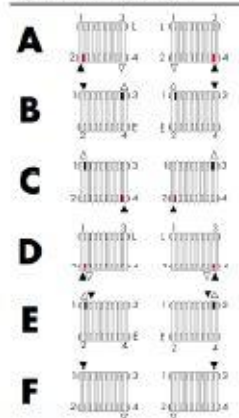
CONNECTION POSSIBILITIES

standard



The standard configuration has four 1/2" reductions and one 1/2" pre-mounted blanking plug.

from/to upper side/lower side



centre connection



only one of them

** PLEASE NOTE: FOR CONNECTIONS POSSIBILITIES AS SHOWN ABOVE - ADDITIONAL COST PER RADIATOR APPLIES - CONTACT OUR SALES TEAM



wignells

of melbourne since 1949

THE HOME OF QUALITY HEATING & COOKING SYSTEMS

430 Johnston Street, Abbotsford, Vic. 3066

Specialising in French Fireplaces and servicing all of Melbourne

Visit their showroom to view their great range.

(03) 9417 3315 www.heatingmelbourne.com.au