

**Masport**<sup>®</sup>  
Heating



Wood fires

# MASPORT WOOD FIRES

## Superior Cast Iron Fireboxes

The key to an efficient, long-lasting fire lies in the design and construction of the superior cast iron firebox. The Masport Heating fireboxes feature an advanced panel design with an integrated array of heat dispersing fins that can increase the surface area by up to 65%. The result is a superior wood fire that transfers heat from the cast iron firebox, through the fins and into the room efficiently. The added thickness of the robust firebox plus the height of the fins gives the extra surface area. This added surface area heats larger volume areas and stores and distributes the warmth long after the fire has died down.



## Triple Air Combustion Technology

All Masport Heating Wood Fires have been built with Triple Air Combustion system designed to efficiently burn all of the fuel put in the fire. Primary air comes through the high/low control, secondary air passes through the 'air wash' which helps keep the glass clean, and tertiary air comes from below the door to ensure complete combustion. This means less fuel and less cost for a lot more heat.



# Grandview

With its large capacity and powerful output, the Grandview is a stylish choice for large rooms and open plan spaces. One stunning feature is the panoramic bay window design, which offers you an expansive view of the fire from all corners of the room.



# Verona

There's something special about the expansive feel of the curved glass on this stunning fire. Masport have captured that dramatic look in the stunning Verona design. Your room will be enhanced by this quality fire.





# Siena

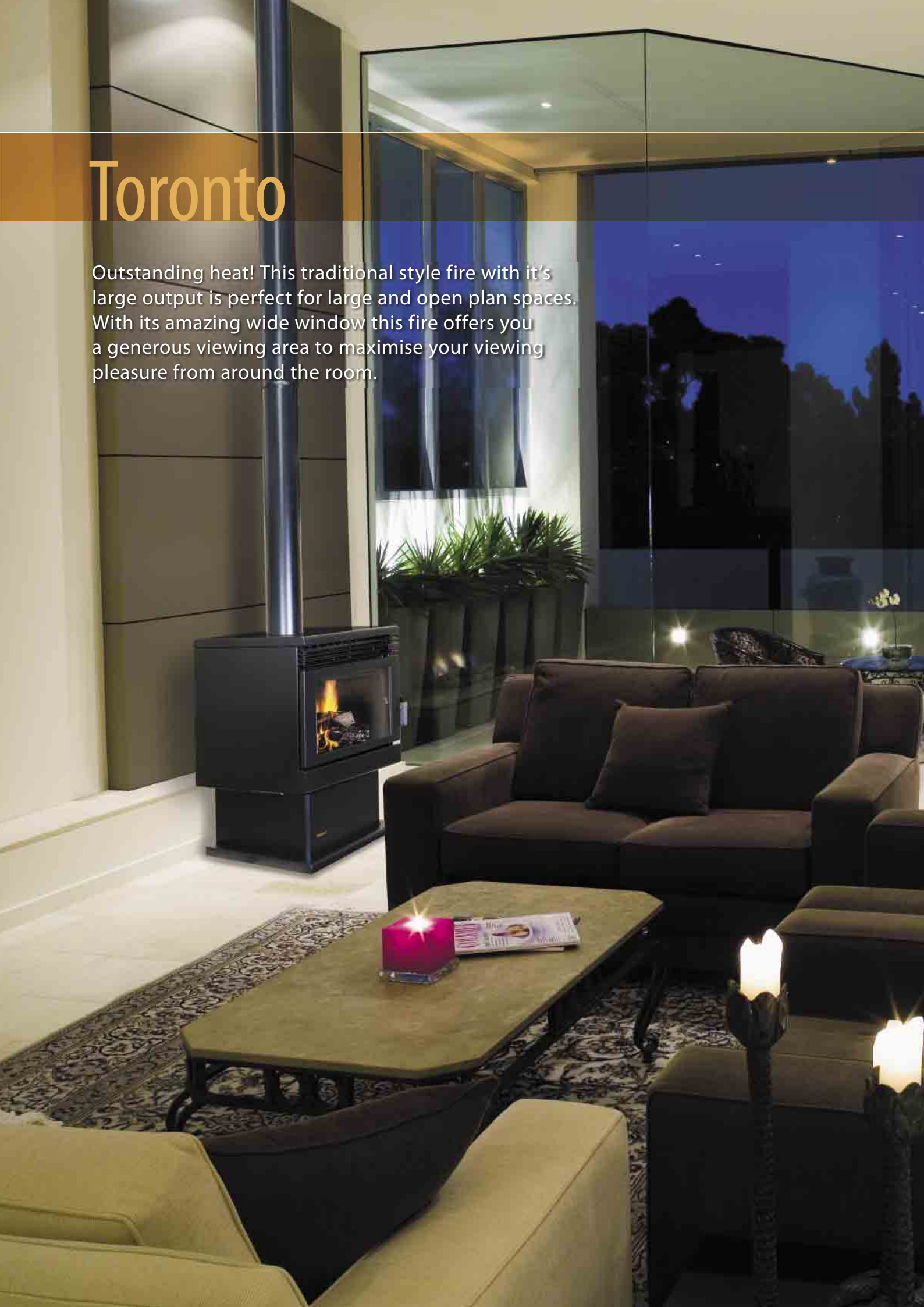
Kick off your shoes and enjoy the irresistible panoramic flames of the stylish Siena fire. The curved window offers an unparalleled view of the beautiful real wood fire.





# Toronto

Outstanding heat! This traditional style fire with it's large output is perfect for large and open plan spaces. With its amazing wide window this fire offers you a generous viewing area to maximise your viewing pleasure from around the room.





# LE 3000

This modern day versatile fire can fit into any room easily, and match any style. It's perfect for medium to large areas and has a large flat glass door that opens past 90° to make refuelling easier.





# LE 2000

The LE 2000 efficiently heats small to medium sized areas. The flush front window gives a warm open feeling. *(Pictured here with optional ash shelf).*





# LE 5000 Provincial

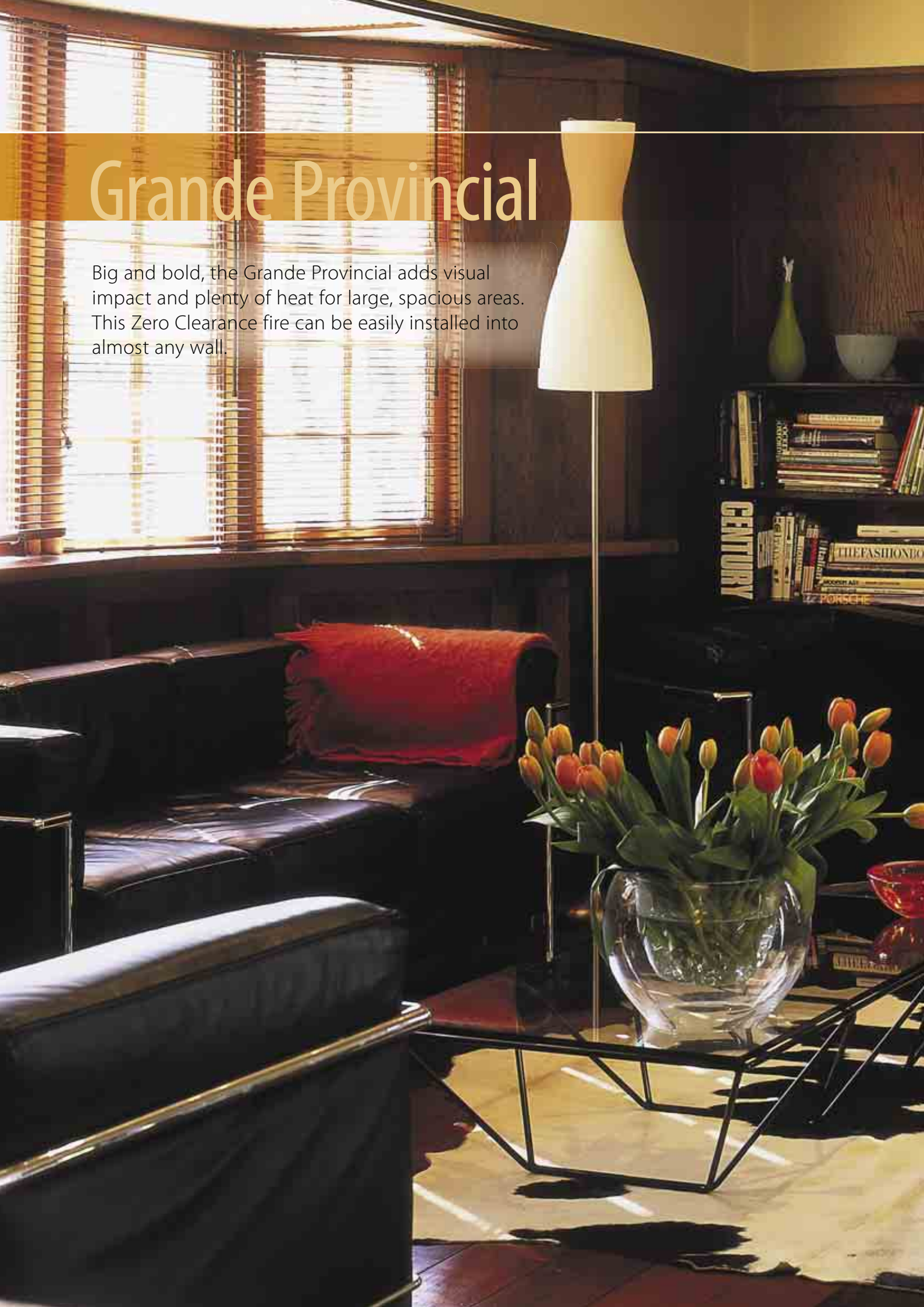
The stylish sleek lines of the LE 5000 Provincial are perfect for transforming your existing masonry fireplace into a dramatic modern feature. Available with an optional Zero Clearance kit, these fires can be quickly and safely installed into any wall of your home.





# Grande Provincial

Big and bold, the Grande Provincial adds visual impact and plenty of heat for large, spacious areas. This Zero Clearance fire can be easily installed into almost any wall.





# LE 7000 Provincial

The LE 7000 Provincial can incorporate Zero Clearance technology so you can enjoy irresistible flames in virtually any space. This fire can be built into any wall - no existing chimney required. No need for expensive remodelling of your home to enjoy the ambience of a wood fire.



## TRADITIONAL RADIANT FIRES

### Grand Arcadia



The Grand Arcadia is a cast iron radiant fire. It heats smaller areas and top or rear flue options allow you to enjoy this fire in almost any room.

*(Pictured here with lace finish on door)*

### Grand Utopia



The rustic charm of the Grand Utopia heats medium areas and has the added feature of a clip on screen so doors can be opened for an open fire feeling.

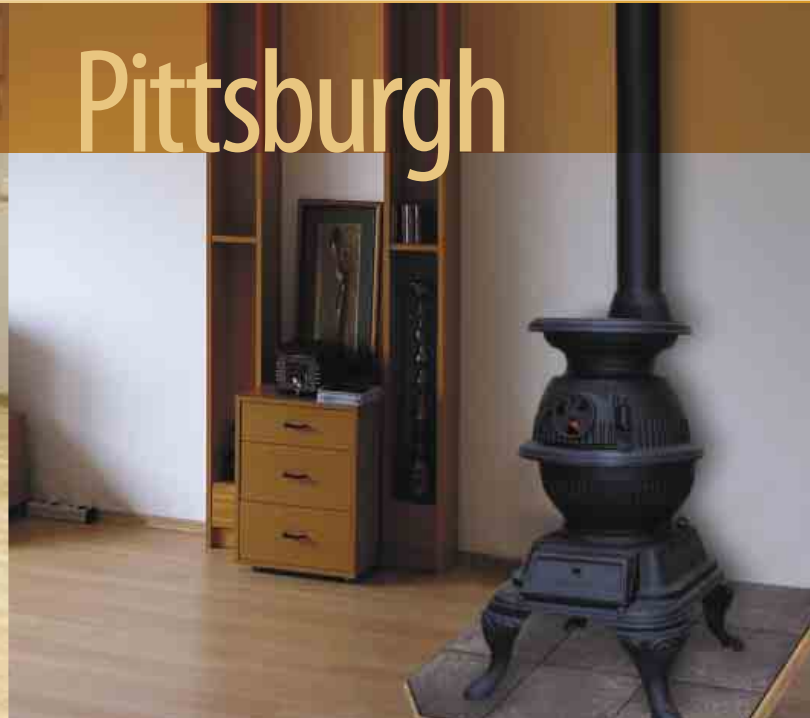
*(Pictured here with optional warming trays)*

### Klondike



Our original cast iron pot belly has not changed for decades! It doesn't need to. The Klondike is completely made from cast iron and heats small to medium sized rooms.

### Pittsburgh



Big brother to the Klondike, this fire will heat medium to large areas easily. The Pittsburgh is completely made from cast iron and has an ash pan for convenient cleaning.

## FREESTANDING WOOD FIRES



# Grandview

- Heats very large areas
- Magnificent heat and superior burn with a mighty finned cast iron firebox and triple air combustion system
- 175mm flue to ensure complete burn
- Optional multi-speed fan for faster heat circulation
- Easy installation with ash only floor protection required
- Internal ash shelf
- Smooth release door latch with adjustable door hinge
- Finished in charcoal paint with stylish silver grills

COLOUR	LOUVRE/GRILL	EST. PEAK OUTPUT	CIRCULATION	DIMENSIONS (WxDxH)
Charcoal Paint	Silver	28kW	Optional 3 Speed Convection Fan	760 x 620 x 790mm



# Verona

- Heats medium to large areas
- Superior heat from a fully lined finned cast iron firebox and triple air combustion system
- Optional multi-speed fan for faster heat circulation
- Easy installation with ash only floor protection required
- Internal ash shelf
- Smooth release door latch with adjustable door hinge
- Finished in matt black enamel

COLOUR	LOUVRE/GRILL	EST. PEAK OUTPUT	CIRCULATION	DIMENSIONS (WxDxH)
Matt Black Enamel	Silver	20kW	Optional 3 Speed Convection Fan	660 x 570 x 705mm

## FREESTANDING WOOD FIRES



### Siena

- Heats medium areas
- Superior heat from a fully lined finned cast iron firebox and triple air combustion system
- Optional multi-speed fan for faster heat circulation
- Easy installation with ash only floor protection required
- Internal ash shelf
- Smooth release door latch with adjustable door hinge
- Finished in matt black enamel

COLOUR	LOUVRE/GRILL	EST. PEAK OUTPUT	CIRCULATION	DIMENSIONS (WxDxH)
Matt Black Enamel	Silver	17kW	Optional 3 Speed Convection Fan	555 x 490 x 640mm



### Toronto

- Heats very large areas
- Magnificent heat and superior burn with a mighty finned cast iron firebox and triple air combustion system
- 175mm flue to ensure complete burn
- Optional multi-speed fan for faster heat circulation
- Easy installation with ash only floor protection required
- Optional wet back to assist domestic water heating
- Smooth release door latch with adjustable door hinge
- Finished in matt black enamel

COLOUR	LOUVRE/GRILL	EST. PEAK OUTPUT	CIRCULATION	DIMENSIONS (WxDxH)
Matt Black Enamel	Black	25kW	Optional 3 Speed Convection Fan	660 x 545 x 825mm

## FREESTANDING WOOD FIRES



### LE 3000

- Heats medium to large sized areas
- Superior heat from a fully lined finned cast iron firebox and triple air combustion system
- Optional multi-speed fan for faster heat circulation
- Easy installation with ash only floor protection required
- Optional external ash shelf
- Smooth release door latch with adjustable door hinge
- Finished in matt black enamel or charcoal paint

COLOUR	LOUVRE/GRILL	EST. PEAK OUTPUT	CIRCULATION	DIMENSIONS (WxDxH)
Matt Black Enamel Charcoal Paint	Silver/Black	19kW	Optional 3 Speed Convection Fan	660 x 490 x 680mm



### LE 2000

- Heats small to medium areas
- Superior heat from a fully lined finned cast iron firebox and triple air combustion system
- Optional multi-speed fan for faster heat circulation
- Easy installation with ash only floor protection required
- Optional external ash shelf
- Smooth release door latch with adjustable door hinge
- Finished in matt black enamel

COLOUR	LOUVRE/GRILL	EST. PEAK OUTPUT	CIRCULATION	DIMENSIONS (WxDxH)
Matt Black Enamel	Black	16kW	Optional 3 Speed Convection Fan	555 x 520 x 615mm



## LE 5000 Provincial

- Heats medium areas
- Substantial heat from a fully lined 6mm cast iron firebox and triple air combustion system
- Standard multi-speed fan for faster heat circulation
- Modern clean lines makes this fire a true feature in any room
- Optional Zero Clearance
- Finished in black paint

COLOUR	LOUVRE/GRILL	EST. PEAK OUTPUT	CIRCULATION	FASCIA DIMENSIONS (WxH)
Black Paint	Black	16kW	Standard 2 Speed Convection Fan	965 x 680mm (Insert) 965 x 750mm (ZC only)



## Grande Provincial

- Heats medium to large sized areas
- Superior heat from a fully lined finned cast iron firebox and triple air combustion system
- Standard multi-speed fan for faster heat circulation
- Optional Zero Clearance
- Finished in black paint

COLOUR	LOUVRE/GRILL	EST. PEAK OUTPUT	CIRCULATION	FASCIA DIMENSIONS (WxH)
Black Paint	Black	24kW	Standard 2 Speed Convection Fan	1095 x 790mm (Insert) 1095 x 835mm (ZC)



# LE 7000 Provincial

- Heats medium to large areas
- Superior heat from a fully lined finned cast iron firebox and triple air combustion system
- Standard multi-speed fan for faster heat circulation
- Optional Zero Clearance
- Finished in black paint

COLOUR	LOUVRE/GRILL	EST. PEAK OUTPUT	CIRCULATION	FASCIA DIMENSIONS (WxH)
Black Paint	Black	21kW	Standard 2 Speed Convection Fan	1010 x 715mm (Insert) 1010 x 765mm (ZC)

# Klondike & Pittsburgh

- Comfortably heats small to medium areas (Klondike) and medium to large areas (Pittsburgh)
- Efficient cooktop
- Great outdoor fire
- Finished in rugged black cast iron



Klondike (K)

Pittsburgh (P)

COLOUR	LOUVRE/GRILL	EST. PEAK OUTPUT	CIRCULATION	DIMENSIONS (WxDxH)
<b>K</b> Black Cast Iron	N/A	10kW	Radiant	380 X 460 X 750mm
<b>P</b> Black Cast Iron	N/A	15kW	Radiant	510 X 580 X 950mm

## TRADITIONAL RADIANT FIRES



# Grand Utopia

- Comfortably heats small to medium areas
- Burns more efficiently than an open fire with low emissions and less pollution
- For easy installation choose either a top or rear flue exit
- Efficient cooktop
- Optional warming trays (not pictured) provide a generous surface for preparing meals (total width with warming trays 1020mm)
- When using the Grand Utopia as an open fire an optional Fire Screen will protect small children and animals from the fire
- Optional ball legs (lower height by 130mm)
- Finished in black cast iron

COLOUR	LOUVRE/GRILL	EST. PEAK OUTPUT	CIRCULATION	DIMENSIONS (WxDxH)
Black Cast Iron	N/A	16kW	Radiant	660 x 530 x 735mm



# Grand Arcadia

- Arched cast iron door with a decorative grill front
- Comfortably heats small areas
- Burns more efficiently than an open fire with low emissions and less pollution
- Efficient cooktop
- For easy installation choose either a top or rear flue exit
- Optional ball legs (lower height by 80mm)
- Finished in black cast iron

COLOUR	LOUVRE/GRILL	EST. PEAK OUTPUT	CIRCULATION	DIMENSIONS (WxDxH)
Black Cast Iron	N/A	13kW	Radiant	525 x 435 x 610mm

# WOOD FIRE SPECIFICATIONS

	Convection Freestanding						Insert/Inbuilt			Radiant Freestanding			
	LE 2000	Siena	LE 3000	Verona	Toronto	Grandview	LE 5000 Provincial	LE 7000 Provincial	Grande Provincial	Grand Arcadia	Grand Utopia	Klondike	Pittsburgh
Estimated peak output (kW)	16	17	19	20	25	28	16	21	24	13	19	10	15
Normal heat output (kW)	1-14	1-15	1-17	1-18	1-21	1-24	1-15	1-17	1-18	1-12	1-17	1-8	1-13

\* Heat output and burn time will vary depending on fuel size, type and moisture content.

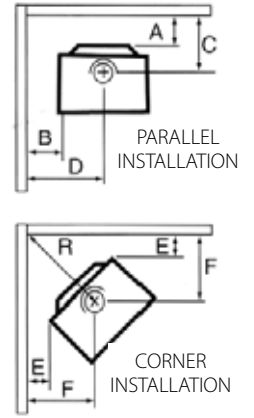
# Domestic hot water systems can be heated with your Masport Toronto fire. For more details talk to your local Masport retailer.

## Minimum distance to heat sensitive materials (mm) - when a flue heat deflector is fitted

	A	B	C	D	E	F	R§
LE 2000	125	325	295	603	100	405	575
Siena	150	250	320	528	100	405	575
LE 3000	150*	325	375*	655	125	480	680
Verona	250+	300	470+	630	125	480	680
Toronto	125	350	320	680	100	475	675
Grandview	150	350	345	730	100	508	720
Grand Arcadia	200	575	350	838	450	700	990
Grand Utopia	300#	500^	455#	808	350~	650~	920
Klondike		900^^	860^^		900^^		
Pittsburgh		900^^	910^^		900^^		

**Note:** Clearances are for fire hazard only. For durability of finishes or surfaces you should contact the relevant manufacturer for their specification. Masport accepts no responsibility for the deterioration of surfaces or finishes.

- \* May be reduced by 25mm if a polished stainless steel flue shield is fitted instead of an enamelled one.
- + May be reduced by 125mm if a polished stainless steel flue shield is fitted instead of an enamelled one.
- # May be reduced by 50mm if a polished stainless steel flue shield is fitted instead of an enamelled one.
- ^ This dimension is measured from the edge of any side-fitting warming shelf. In this case, dimensions D and F will increase accordingly.
- ~ Increase by 50mm if no heat deflector is fitted. Increase R by 70mm.
- § Valid only when the room walls are at 90° to each other.
- ^^ These dimensions are for installations without flue heat deflectors. They may be significantly reduced by fitting of flue heat shields and wall shields. Please refer to installation instructions.



## Minimum floor protector dimensions when a flue heat deflector is fitted (mm)

Model	C§	J	K	L	W	S§	X	Y	Ash Floor prot.^	Insulating Floor prot.^
LE 2000	295	555	160	300	875	860	880	560	Yes	Optional
Siena	320	555	160	300	875	940	880	600	Yes	Optional
LE 3000	375*	660	138	350	935	990*	980	605	Yes	Optional
Verona	470+	660	140	300	940	1110+	970	655	Yes	Optional
Toronto	320	660	153	300	965	965	1025	625	Yes	Optional
Grandview	345	760	103	300	965	1060	1100	725	Yes	Optional
Grand Arcadia	350	525	165	300	855	835	750	430	No	Yes
Grand Utopia	455#	615	120	300	855	1030#	850	550	No	Yes
Klondike					1220	1220			No	Yes
Pittsburgh					1220	1220			No	Yes

§ Valid only when the fire is exactly at its minimum allowable wall clearance.

\* May be reduced by 25mm if a polished stainless steel flue shield is fitted instead of an enamelled one.

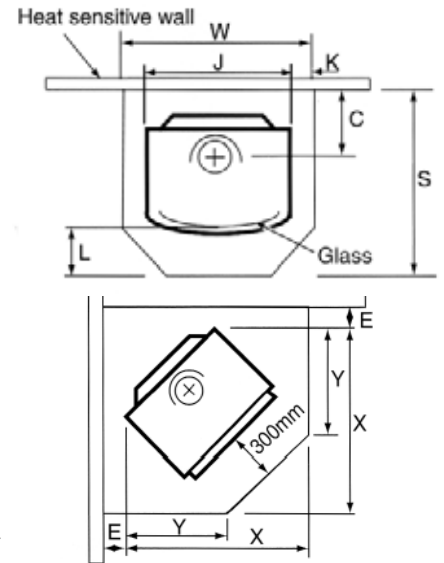
+ May be reduced by 125mm if a polished stainless steel flue shield is fitted instead of an enamelled one.

# May be reduced by 50mm if a polished stainless steel flue shield is fitted instead of an enamelled one.

^ See installation instructions for minimum constructional requirements.

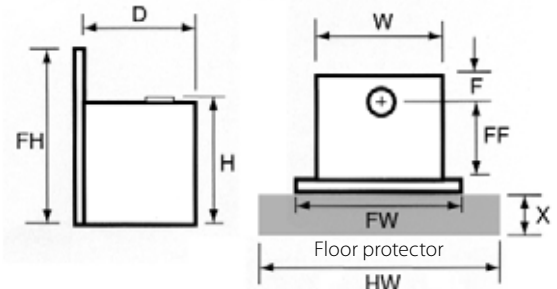
Your measurement E must be added to X and Y to find the appropriate minimum overall floor protector dimensions.

See above for minimum values of E.



## Dimensions Inserts/Inbuilts (mm)

Model	D	H	W	F	FH	FW	FF	HW*	X*
LE 5000 Provincial	420	560	590	140	680	965	280	935	351
LE 5000 Provincial ZC	525	660	715	245	750	965	280	935	351
LE 7000 Provincial	485	595	630	170	715	1010	315	935	330
LE 7000 Provincial ZC	555	710	760	240	765	1010	315	935	330
Grande Provincial	485	670	725	175	790	1095	310	965	418
Grande Provincial ZC	555	785	760	245	835	1095	310	965	418



\* For floor protectors where top is at least 50mm above the floor. For other heights of floor protectors these minimum dimensions change. Please see installation instructions for details.

For full warranty details refer to your owner's manual. All heaters must be installed and serviced by an authorised installer. Due to ongoing enhancements, specifications may change without notice. Some pictures and settings are for illustration purposes only. Consult your dealer for flues available in your area.

**NB:** it is important to note that this dimensions page is a guide only. Please refer to the installation manual supplied for accurate manufacturer recommendations. All details are available on [www.masportheating.com.au](http://www.masportheating.com.au)

# About Wood Fires

In days gone by man relied on solid wood fuel to provide the basics of life – for cooking, heating and hot water. Yet it was dirty, inefficient and hazardous. How things have changed!

In recent times scientists and technicians have been dedicated to improving the efficiency and performance of solid wood fires and to produce appliances which meet environmental standards, are stylish and operate with efficiency never before imagined.

Australasia's heating technicians are recognised as being among the world's best. Stay clean glass doors, the use of ceramics and sophisticated air entrainment were all local developments... and the refinement is continuous.

Today's appliances use less fuel, burn cleaner, are easier to clean, and can provide whole house heating even in the coldest winter without fuss or mess.

## *Environmentally Friendly Wood Fires*

*Product researchers and developers have been working hard on addressing environmental issues for over a decade. And today's combustions systems meet even the most stringent world standards.*

*Simply put, burning wood is a sound environmental choice because unlike other fuels burning wood generates no more carbon dioxide than if it were left on the forest floor to rot. What's more, good forest management and regular replanting would ensure that our atmosphere is continually washed of carbon dioxide, while pruning and factory off cuts could provide an ample fuel supply for the entire country. With wood you know you are playing your part in protecting the planet.*

## More About Wood

- Avoid using salt borne drift wood and chemically treated timbers at all costs.
- Soft woods like pine burn more quickly and require more refuelling than denser hard woods such as gum or macrocarpa.
- Stock up well before winter starts.
- Use dry wood (hard wood takes about 2 years to dry out whereas soft wood can dry out in just 6 months).
- A good way to tell if wood is ready to burn is to look for signs of radial cracking at the end of a log.

## Inbuilt Zero Clearance (ZC)

Have you ever wanted to have an attractive insert fireplace but been put off by the need for an expensive remodelling of your house?

Now, thanks to Masport Heating, almost any wall can be quickly and safely converted to accommodate an insert fireplace with the Masport Zero Clearance (ZC) range of fires – LE 5000, LE 7000 and Grande Provincial.

This range enables you to have an insert fireplace installed into almost any wall, while protecting floors and walls constructed from combustible materials.



## Guaranteed For 10 Years

As a sign of our commitment to quality all new Masport cast iron fire boxes are guaranteed for 10 years. We warranty our fire boxes to be free from defects in material or workmanship under normal use and service.

The Warranty (on the cast iron firebox excluding attachments) is for 10 years from the date of purchase.

## Installation

When installed in the correct manner as shown, your Masport Fire will provide a cleaner, more energy efficient warmth. Masport Heating recommends that all installation work be carried out by a qualified installer.



# Masport<sup>®</sup> Heating

Distributed by Glen Dimplex Australia Pty Ltd

Unit 2, 205 Abbots Road, Dandenong South,  
Victoria 3175, Australia

Tel: 03 8787 3567 Fax: 03 8787 3570

Email: [sales@glendimplex.com.au](mailto:sales@glendimplex.com.au)

Customer Hotline - 1300 556 816

[www.masportheating.com.au](http://www.masportheating.com.au)

Glen Dimplex Australia Pty Ltd's policy is one of continuous development. We reserve the right to change size and specifications without notice. For confirmation of Masport Heating product details please refer to [www.masportheating.com](http://www.masportheating.com). Please refer to the installation and operation instructions before having your Masport Wood Fire installed. A full set of these instructions is supplied with each fire.