



## TOWEL RAILS



## LUXURY AND WARMTH

Create a safe, comfortable, healthier bathroom environment with stylish towel rails and enjoy the luxury of warm dry towels.

Complement the surroundings with your towel rail or choose to make a bold statement with one.

Keep bodies and towels warm and dry while extending the lifespan of your home's interior by reducing bathroom dampness.

*If you need confirmation of quality, every De Longhi towel rail has a 15 year guarantee against design or manufacturing defects from the date of installation.*

Towel rails available with electric element option.

### finishes

High gloss white and chrome.

Available in three heights and four widths.

### measurements

Straight

For full details PTO

# DE LONGHI STRAIGHT TOWEL RAILS

TABLES BASED ON  $\Delta T 60$  - MEAN WATER TEMPERATURE IN RADIATOR OF  $80^{\circ}\text{C}$  AND A ROOM TEMPERATURE OF  $20^{\circ}\text{C}$

RADIATOR OUTPUTS TO EN442 STANDARD

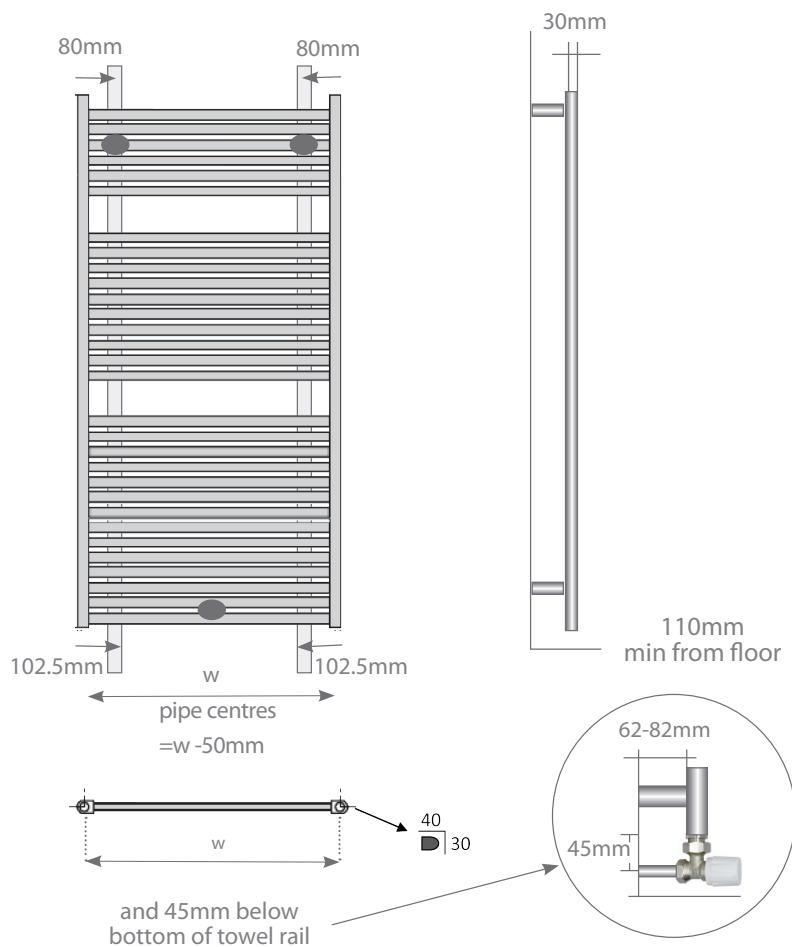
Model		Width mm	Height mm	Connection Centres mm	Output kw	
White	Chrome				White	Chrome
DLWS-500x801	DLCS-500x801	500	801	450	0.392	0.263
DLWS-500x1252	DLCS-500x1252	500	1252	450	0.595	0.404
DLWS-500x1457	DLCS-500x1457	500	1457	450	0.691	0.466
DLWS-500x1867	DLCS-500x1867	500	1867	450	0.892	0.588
DLWS-600x801	DLCS-600x801	600	801	550	0.466	0.309
DLWS-600x1252	DLCS-600x1252	600	1252	550	0.702	0.477
DLWS-600x1457	DLCS-600x1457	600	1457	550	0.813	0.553
DLWS-600x1867	DLCS-600x1867	600	1867	550	1.042	0.703
DLWS-750x801	DLCS-750x801	750	801	700	0.577	0.379
DLWS-750x1252	DLCS-750x1252	750	1252	700	0.864	0.587
DLWS-750x1457	DLCS-750x1457	750	1457	700	0.996	0.682
DLWS-750x1867	DLCS-750x1867	750	1867	700	1.267	0.876

## ELEGANCE STRAIGHT TOWEL RAILS

Rough-in Dimensions  
Without Electric Element

90x45mm pine noggins installed vertically and set in 102.5mm from each outside edge of towel rail. This will ensure you have suitable fixing for brackets.

NOTE: When fitting a towel rail mark position of mounting brackets which fit between the cross rails. Fit mounting brackets to wall first then fit towel rail to brackets. Following this method will automatically align fixing brackets to towel rail.



showroom 11 Fiveways Boulevard Keysborough VIC 3173

phone 1300 00 1800 fax (+613) 9798 5133

email enquiries@huntheat.com.au website www.huntheat.com.au