

Home  
heating,  
naturally.

 **LOGAIRE**  
*The family fire.*



1300 556 816  
[www.logaire.com.au](http://www.logaire.com.au)

## FREESTANDING



## APOLLO (Convection)



Originally designed to fit into the traditional family kitchen, the Apollo is equally at home in today's modern lifestyle homes.

- Suitable for an average size 2 bedroom home.
- Estimated peak heat output - 12kW.
- 6mm steel firebox for durability.
- Removable top grill for cooking.
- Finish - *Enamel*: Matt Black or Charcoal.
- Height 870mm or 760mm (optional heights)  
Width 310mm  
Depth 525mm

## MICROS (Convection)



Big on features with a value for money price, the Micros sets the standard for compact wood fires.

- Suitable for an average size 2-3 bedroom.
- Estimated peak heat output - 14kW.
- Removable top grill for cooking.
- Child proof door locking mechanism.
- Lined with fire bricks for efficient burning.
- 6mm top plate and baffle for durability.
- Finish - *Enamel*: Matt Black, Charcoal. *Paint*: Metallic Black.
- Height 627mm, Width 550mm, Depth 511mm.

## MINOS (Radiant)



Sleek and stylish, the Minos is perfect for today's lifestyle choices.

- Suitable for an average size 2-3 bedroom.
- Estimated peak heat output - 14kW.
- Flat radiant top allows cooking.
- Child proof door locking mechanism.
- Lined with fire bricks for efficient burning.
- 6mm top plate and baffle for durability.
- Finish - *Paint*: Metallic Black.
- Height 635mm, Width 600mm, Depth 475mm.



## HESTIA (Convection)

Clean heat using convection technology.

- Suitable for an average size 3-4 bedroom home.
- Estimated peak heat output - 19kW.
- Lined with fire bricks for efficient burning.
- 6mm steel firebox for durability.
- Finish - *Enamel*: Matt Black or Charcoal.
- Optional convection fan
- Height 704mm, Width 640mm, Depth 523mm.



## KRONOS (Radiant)

The new look Kronos fire with pedestal base will complement a multitude of home settings.

- Suitable for an average size 3-4 bedroom home.
- Estimated peak heat output 20kW.
- 6mm steel firebox for durability.
- Large 8mm radiant cook top.
- Easy Roll door mechanism for ease of operation.
- Finish - *Paint*: Metallic Black or Titanium Grey.
- Height 741mm, Width 700mm, Depth 627mm.



## TALISMAN (Radiant)

Clean and tidy functional style to suit any room.

- Suitable for an average size 3-4 bedroom home.
- Estimated peak heat output 20kW.
- 6mm steel firebox for durability.
- Large radiant cook top.
- Finish - *Paint*: Metallic Black.
- Optional convection fan
- Height 724mm, Width 700mm, Depth 542mm.





## ATLANTA (Convection)



Great for heating up large areas.

- Suitable for an average size 4-5 bedroom home.
- Estimated peak heat output - 23kW.
- Removable top grill for cooking.
- Lined with fire bricks for efficient burning.
- 6mm steel firebox for durability.
- Finish - *Enamel*: Matt Black or Charcoal.
- Optional convection fan
- Height 754mm, Width 640mm, Depth 658mm.

Available with optional wetback to provide supplementary water heating

## PYRROS INSERT (Convection)



A contemporary look meeting today's décor trends with its curved front and styling.

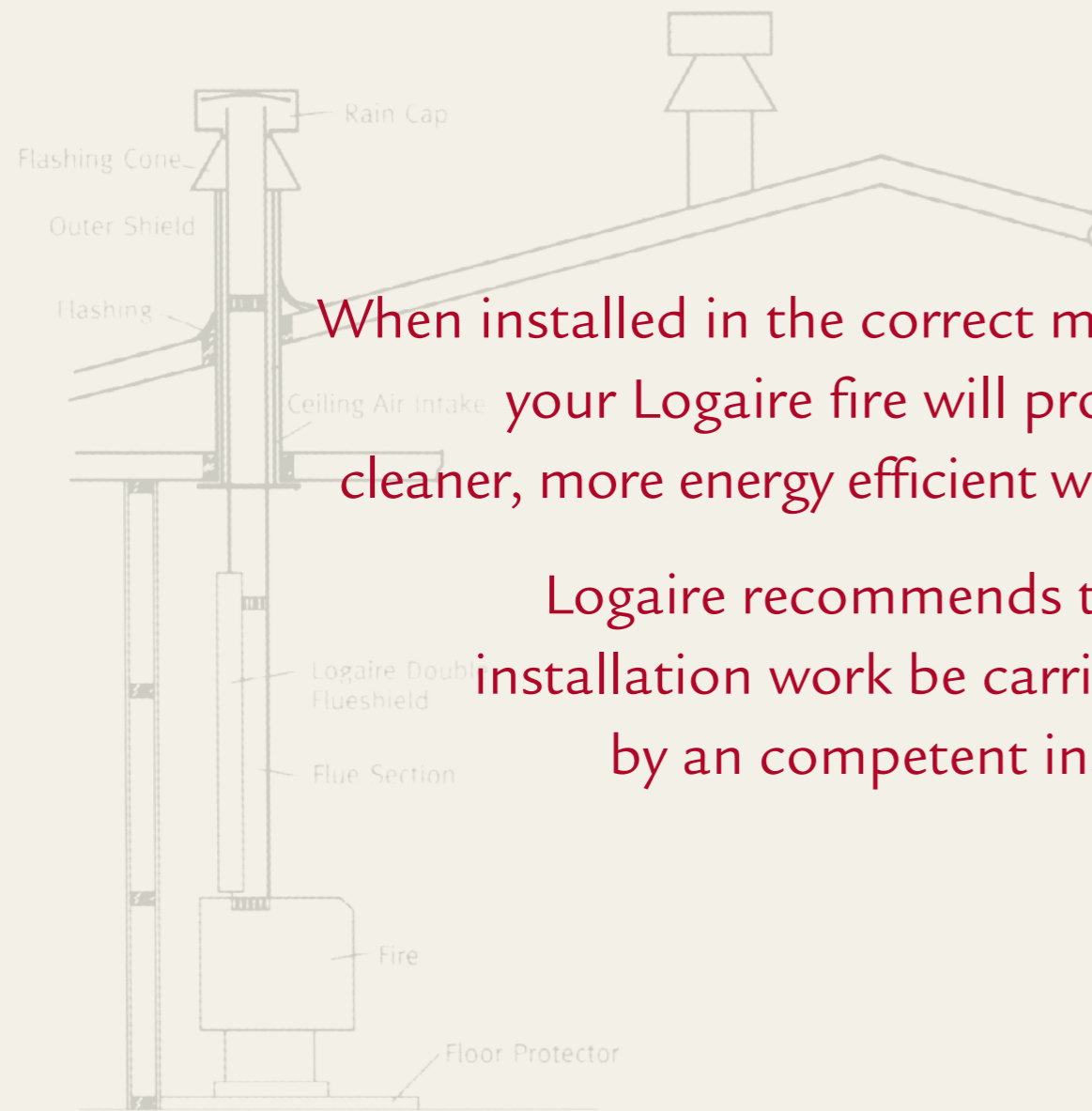
- Suitable for an average size 2-3 bedroom home.
- Estimated peak heat output - 16kW.
- 6mm steel firebox for durability.
- Suitable for existing masonry fire place applications.
- Finish - *Enamel*: Black.

## "EASY ROLL" DOOR LOCK



Simply the best door locking mechanism available. The rotating bearing ensures a smooth and consistent door seal each and every time the door is closed. As the door rope wears, the mechanism can be adjusted to maintain the seal.

Only available on the Pyrros Insert and Kronos Clean Air.



When installed in the correct manner,  
your Logaire fire will provide a  
cleaner, more energy efficient warmth.

Logaire recommends that all  
installation work be carried out  
by an competent installer.

To get the best out of your Logaire fire,  
we endorse the following tips:-

1. Plan ahead - stock up on wood 6-12 months before intended use.
2. Gather dense hardwoods earlier than softwoods.
3. Select wood which is already partially dry.
4. Choose sound, solid wood - avoid rot and excess bark.
5. Split larger logs to assist drying and burning.
6. Never use seaborne driftwood or chemically treated timber.
7. Stack fuel loosely in a dry place so air can pass freely through the pile.
8. Cover the top and two sides of the stack.
9. Use fuel in order - the oldest and driest first.
10. Have your appliance professionally checked and serviced before the Winter begins.

Warm your home naturally with a wood fire from Logaire.  
We provide the best in warmth, style and technology.

## 10 Great Reasons to Buy Logaire...

1. Super high heating efficiencies to give lower running costs.
2. Made by Australasia's largest fire manufacturer.
3. Warranty up to 10 years.
4. Environmentally responsible clean air models.
5. Glass remains clean due to multi-burn technology.
6. Fire brick lined for extra heating efficiency.
7. Safety door lock models.
8. 6mm steel for durability.
9. Enamel finished models to keep your fire looking new.
10. Supplementary water heating option (Atlanta only).

### Convection Fires

Convection fires provide a more even heat to the room.  
The air is warmed from the ceiling down and thus the warmth  
may take longer to be felt.

A convection fire has a casing around the fire box which allows  
the air to flow. As the air passes the fire box, it is heated.  
This action is known as convection.

A convection fire is more suitable for a room or house with a standard  
ceiling height and where more even heat distribution is desired.



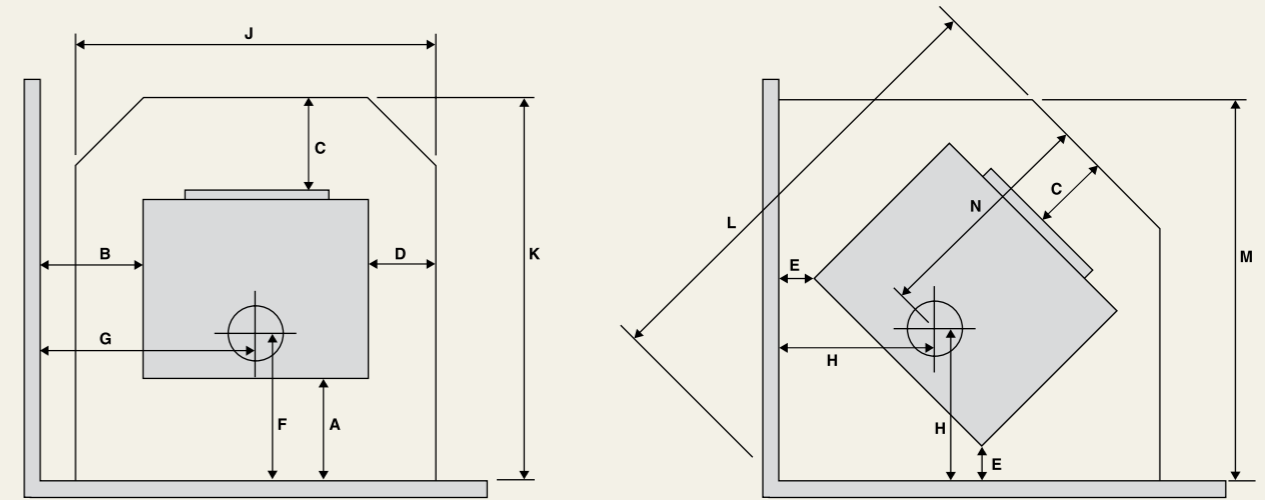
### Radiant Fires

Radiant fires heat quickly and if you sit close to them you can  
get warm even if the whole room has not had time to warm up.

A radiant fire transfers about two thirds of its heat by radiation  
and one third by convection.

A radiant fire is very suitable for rooms with high ceilings.

# TECHNICAL SPECIFICATIONS

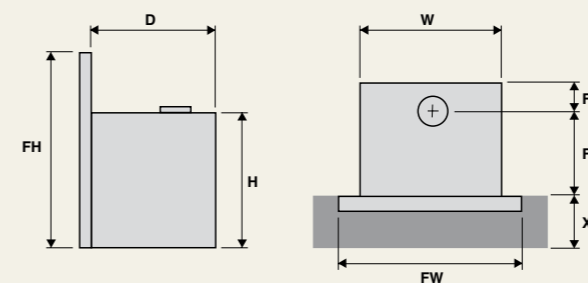


## CLEARANCE REQUIRED TO COMBUSTABLE MATERIALS

Clearance Requirements (mm)	A	B	C	D	E	F	G	H	J	K	L	M	N
Apollo	150	400	300	151	100	267	555	292	612	959	1105	844	692
Apollo (with Logaire double flue shield)	120	260	300	151	100	237	415	292	612	929	1105	844	692
Micros	150	180	300	136	80	293	455	376	822	832	1070	894	539
Micros (with Logaire double flue shield)	100	220	300	136	50	243	495	346	822	782	1028	864	539
Minos	200	220	300	111	100	361	520	426	822	800	1133	939	531
Minos (with Logaire double flue shield)	100	195	300	111	50	261	495	376	822	800	1063	889	531
Kronos	300	400	300	100	250	508	750	645	900	1134	1538	1252	626
Kronos (with Logaire double flue shield)	100	265	300	100	100	308	615	495	900	934	1325	1102	626
Hestia	260	240	300	130	100	424	560	442	900	1016	1217	1026	592
Hestia (with Logaire double flue shield)	50	340	300	130	25	214	660	367	900	806	1111	951	592
Atlanta	200	250	300	130	80	334	570	401	900	1091	1324	1101	757
Atlanta (with Logaire double flue shield)	160	250	300	130	50	294	570	371	900	1051	1291	1071	757
Talisman (without flue shield)	200	300	300	120	225	356	650	583	940	965	1433	1192	609
Talisman (with Logaire double flue shield)	125	325	300	120	150	281	675	508	940	890	1327	1117	609

All Logaire wood fires have been tested to AS/NZS2918 using a Flo-Met Universal Flue Kit comprising a drop box and a decorative shield which is 50% solid and 50% decromesh. Use of the Logaire double flue shield (part number MFIAC093) requires the removal of this decorative shield.

## INSERT DIMENSIONS



Dimensions (mm)	Standard	D	H	W	F	FH	FW	FF	X**
Pyrrhos Insert	AS/NZS 2918	510	570	595	100	660	860	410	280

\*\* Hearth dimension requires hearth at least 35mm thick.

## WARRANTY DETAILS

Glen Dimplex Australia Pty Ltd warrants the steel firebox against defective materials and workmanship that would render it unfit for normal domestic use within a period of ten (10) years after the date of original purchase (except for the Apollo which is five (5) years).

Glen Dimplex Australia Pty Ltd warrants all of the below components, if proved to be defective in material or workmanship under normal domestic use for a period of one (1) year:-

- Door glass and seal
- Fire bricks and retainers
- Secondary air tube
- Removable baffle
- Water boosters
- Flue systems

## WARRANTY CONDITIONS

- The wood fire must be installed, operated and maintained in accordance with the building code and the manufacturer's installation and operation manual.
- This warranty covers the replacement or repair at the manufacturer's discretion but excludes freight or travel costs.



Distributed by Glen Dimplex Australia Pty Ltd  
Unit 2, 205 Abbots Road, Dandenong South,  
Victoria 3175, Australia  
Tel: 03 8787 3567 Fax: 03 8787 3570  
Email: [sales@glendimplex.com.au](mailto:sales@glendimplex.com.au)  
[www.logaire.com.au](http://www.logaire.com.au)

**Customer Hotline - 1300 556 816**

Glen Dimplex Australia Pty Ltd's policy is one of continuous development.  
We reserve the right to change size and specifications without notice.