



HEAT & GLO™
Where everything comes together



Balanced flue gas log fires



6000TRSI with Luna polished concrete surround.



6000TRSI 3 sided 100mm black trim cabinet installation.



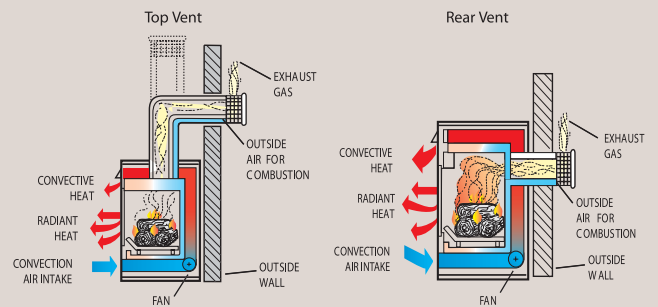
6000TRSI Square pattern fascia and Richmond mantelpiece.

A Heat & Glo is an impressive feature, offering installation ease and versatility.

Anywhere... Any Style.

Heat & Glo balanced flue fires are so easy to install, with straight out the back venting options, they're ideal for multi storey dwellings on an outside wall. Heat & Glo units can also be vented in a number of versatile vertical and horizontal flueing options. In fact you can vent the 6000TRSI up to 4.9m* horizontally with up to three 90 degree bends. Your fireplace can be virtually anywhere and any style.

*refer to manual for details.





550TRSI with 4 sided stainless steel trim.



550TRSI with Classic fascia and Rosette mantelpiece.



550TRSI with Crema Marfil mantelpiece, margins and hearth.

Heat & Glo balanced flue fires,
the healthiest way to heat
your home.

Balanced flue technology.

A completely sealed system, Heat & Glo balanced flue gas fireplaces draw 100% of combustion air from the outdoors and exhaust all combustion by products back outside, with no affect on indoor air quality. In addition, cold air drafts are eliminated and heat output is maximised. No power or fan is needed to achieve this.

Intellifire Ignition System.

Our state of the art ignition system eliminates a continuously burning pilot light and supplies back-up battery power during a power outage, reducing gas consumption and lowering operating costs. Never again will you manually light a pilot or bend down to start your fireplace.

350TRSI.
Perfect for small spaces.



350TRSI with 4 sided 100mm black trim.



VRTIKL top vent with bronze tint and glass hearth pad.



VRTIKL rear vent with grey tint and glass hearth pad.

VRTIKL. The beauty of modern design meets the intelligence of advanced engineering.

It's the best of both worlds. Sleek lines and contemporary styling combined with the advanced thinking and practicality of a balanced flue gas freestander - that's VRTIKL.

Any way you look at it - from the finely detailed construction to the graceful shape to the tall, curved firebox opening - VRTIKL makes a powerful modern design statement.

Curved glass front comes with a choice of two colour tints, giving you creative options to coordinate with your home's interior. Optional colour tinted glass hearth pads match the parabolic shape of the stove. Tall viewing area maximises enjoyment of the fire.

Utilises a completely sealed balanced flue system that vents off the top or rear (rear venting requires conversion kit). The VRTIKL is available with a polished concrete surround.



STHVBI with 3 sided stainless steel trim.



STHVBI with 4 sided stainless steel trim.

STHVBI.
Beauty you can
see through.

Create a divide between two rooms or simply an impressive room divider the Heat & Glo STHVBI with its stunning logset and high variable flame pattern is truly "Beauty you can see through".



STHVBI with custom black trim.



STHVBI with marble trim.



AT SUPREME with standard front.



AT SUPREME with Classic Duracote fascia and Richmond mantelpiece.



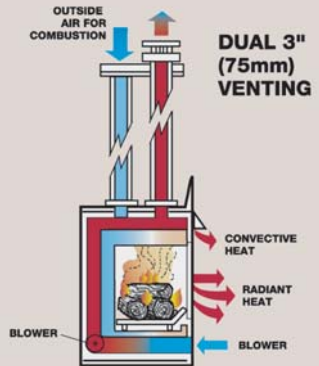
AT SUPREME with Melbourne trim and marble surround.

Convert your existing fireplace to the efficiency of an AT Supreme balanced flue gas log fire.

The AT Supreme is the ultimate insert for your existing fireplace, featuring all the benefits of balanced flue Technology and efficient space heating with a stunningly realistic logset.

The AT Supreme is simple to install. Featuring dual flues that run the entire length of the chimney, one flue draws air from outside for combustion and the other flue expels the fumes. The AT Supreme is completely airtight so absolutely no fumes will spill back into your room. Brilliant for your indoor air quality.

Choose from a range of finishing options: standard surround, marble, olde world or stainless steel.



Polished Concrete Surrounds



350TRSI with Echo surround.



6000TRSI with Athena surround.



550TRSI with Echo polished concrete surround.



550TRSI with Luna surround.



Intellifire
Remote Control.
Fully programmable, with
time & temperature control.

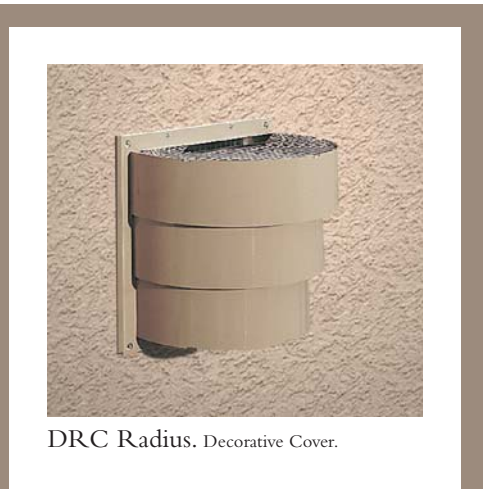
Heat & Glo.
Where great new
ideas take shape.



550 Stainless Steel Freestander.
Shown here with stainless steel front.



Stainless Steel Front.
Available for 6000TRSI, 550TRSI & 350TRSI.



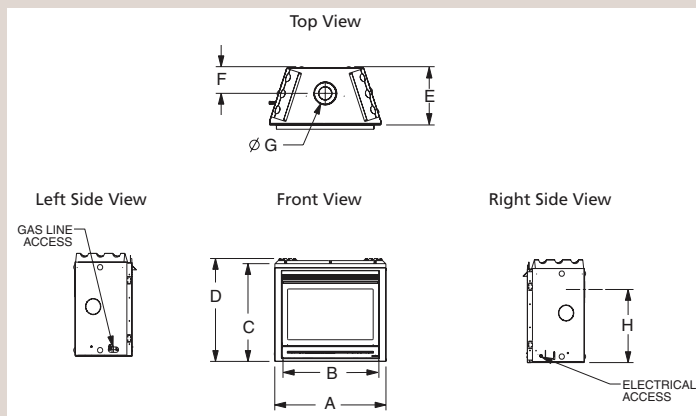
DRC Radius. Decorative Cover.

Dimensions & specifications

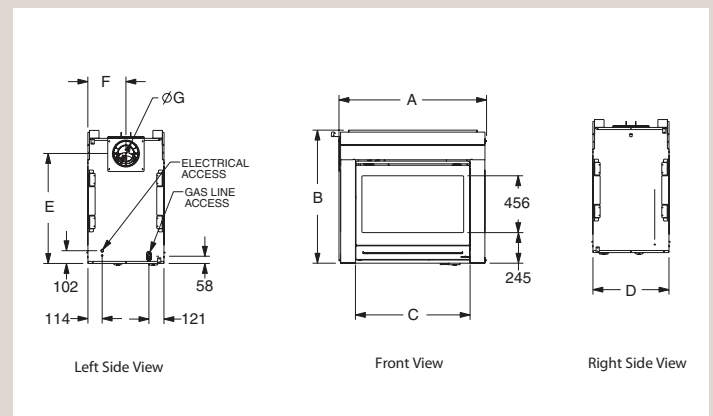
MODEL	A	B	C	D	E	F	G	H	VIEWING AREA	INPUT mJh	kWh OUTPUT	
6000TRSI	1043	917	917	965	547	250	203	686	800 X 475	High Ng 36 Low Ng 25	High Lpg 34 Low Lpg 24	Ng 7.9 Lpg 7.5
550TRSI	913	790	816	877	414	191	168 top 203 rear	593	670 X 410	High Ng 28 Low Ng 20	High Lpg 26 Low Lpg 18	Ng 5.9 Lpg 5.5
350TRSI	837	714	764	827	414	191	168 top 203 rear	542	610 X 385	High Ng 21 Low Ng 15	High Lpg 20 Low Lpg 14	Ng 4.5 Lpg 4.3
STHVBI	1183	1067	919	610	882	306	203	N/A	815 X 455	High Ng 44 Low Ng 30.8	High Lpg 43 Low Lpg 30	Ng 8.6 Lpg 8.4
VRTIKL	See diagram for measurements								470 X 877	High Ng 27 Low Ng 19	High Lpg 25 Low Lpg 15	Ng 5.6 Lpg 5.6
AT SUPREME	See diagram for measurements								700 X 300	High Ng 34 Low Ng 22	High Lpg 32 Low Lpg 21	Ng 7.4 Lpg 7.4

Dimensions above are in millimetres and for reference only. Refer to installation manual for detailed specifications on installing this product and framing specifications.

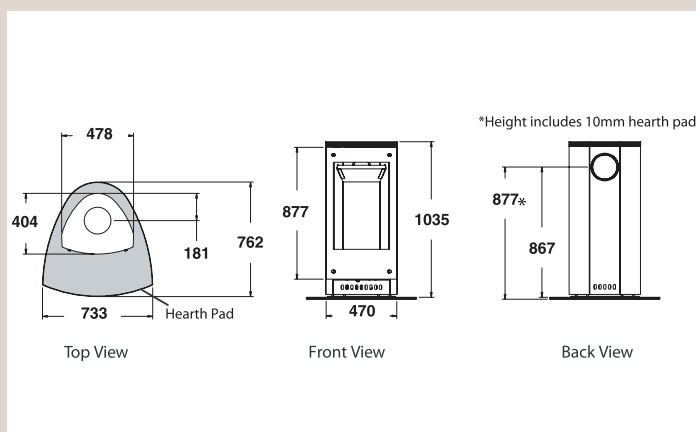
6000TRSI, 550TRSI, 350TRSI



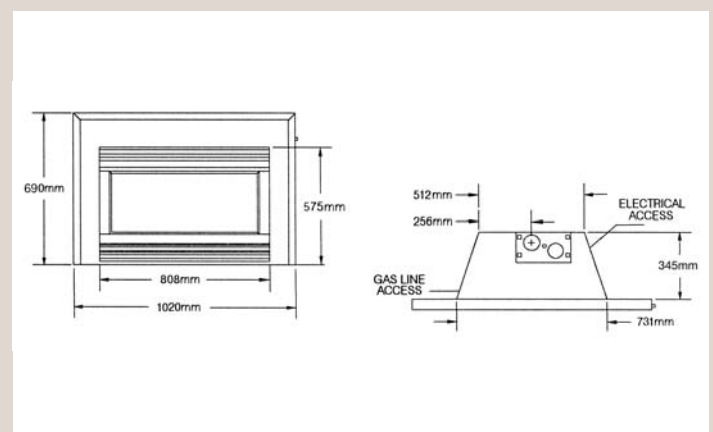
STHVBI (SEE THROUGH)



VRTIKL



AT SUPREME



Your local Heat & Glo Agent is

430 Johnston Street,
Abbotsford, Victoria,
Australia, 3066



wignells
of melbourne

THE HOME OF CHEMINÉES PHILIPPE AUSTRALIA



HEAT & GLO