





HEATMASTER

atmosphere

warmth

style

# enviro

Innovative heating technology for tomorrow, today



[www.heatmaster.com.au](http://www.heatmaster.com.au)

# CONTEMPORARY Design

## Control the Enviro from the comfort of your chair

With the Enviro, there's no problem controlling temperature. With the touch of a button on the remote controller pad you control heat output, flame height and even program when the Enviro turns on and off.



Logs



Pebbles



Coals

## Logs, Pebble or Coal options

With the option of glowing coals, traditional wood or ultra modern pebbles the Enviro allows you to customise the design to suit your decor.

## Design Style

The Heatmaster Enviro has been designed in consultation with Australian architects, builders and end users. The result is a unique gas fireplace with clean soft lines and a simple elegant style which is perfectly suited for the Australian marketplace.



*Option of black or stainless steel fascia*

Stylish, contemporary design  
with a large rectangular  
glass viewing area with  
clean, soft lines that  
have no grills  
or louvers





With a strong focus on cutting edge technology and design features, the look of the Enviro had to reflect the same innovation. The outcome is streamlined soft lines, a wafer thin profile with a generous glass frontage for greater depth of viewing and superb ambience.



HEATMASTER

[www.heatmaster.com.au](http://www.heatmaster.com.au)



HEATMASTER'S  
ENVIRO

In a world of  
changing parameters,  
placed a very high importance  
efficiency and environmental imp

# ENVIRONMENTALLY friendly



## Star Rating

The Enviro's been designed with the environment in mind. Now you can have a heater with an energy rating of 4.6 stars. So you're not only more efficient with your energy use but your helping the planet.

## Energy Efficient & Low Running Costs

Once you set your thermostat control, your Heatmaster enviro will modulate the flame and gas consumption as required to achieve your desired temperature. By not wasting any excess gas, you will help lower the impact on both, the environment and your gas bills.

## Heat transfer

By utilising the Enviro's built in heat ducting system you can transfer a portion of the heat to a second room in the house, maximising the efficiency of the fire.



*From a small flame for keeping a constant temperature to the ambiance of a roaring fire*

## Packaging

All Heatmaster Enviro Gas Fires are packed with recycled cardboard.

## Heatmaster teaming with Landcare to give something back



Stretching more than 500km from the NSW outback down through Victoria's Murray-Sunset National Park and all the way south to the coast, Habitat 141 - Connecting the outback to the Ocean is a very big idea.

It has to be if it's to turn around the environmental damage caused to this huge sweep of land, much of which has been dramatically altered since European settlement.

Land clearance for agriculture has left vast tracks of the area devoid of native vegetation robbing many species of their habitat and pushing them towards extinction.

Large stretches of grasslands and grassy woodlands, important habitats for threatened species like the Red-tailed Black Cockatoo and Bush Stone Curlew, have been heavily cleared for cropping. In the Wimmera region around Horsham less than 3% of original Buloke grassy Woodlands remain. They are now one of Australia's most endangered ecosystems.

Habitat 141 also takes in part of the Victorian Volcanic plain, one of Australia's 15 national biodiversity hotspots, as well as north-western Victoria, which has been identified as having the highest number of threatened species in any one region in Australia.

It includes the Wimmera River system, which after years of drought and lack of environmental water flows has been brought to its knees.

A recent report found that salt levels in the Wimmera River at Dimboola are three times higher than the sea.

This river system is a key part of the natural systems found in an area that stretches from the Grampians north to the Big Desert, an area that is also home to about 30% of Victoria's remaining wetlands

Heatmaster have teamed up with Landcare to help support this important project. For every Enviro Gas Fire sold Heatmaster will contribute towards the Habbit 141 Project.

environmentally  
Heatmaster has  
e on the energy  
act of the Enviro



# PACKED WITH features



A duct can be placed in the floor or ceiling depending on the individual installation



Icons on the remote control indicate intensity of flame

The thermostat can also be set to turn itself on and off at predetermined times to ensure that your Enviro is warming your home when you get up in the morning or arrive home from work in the evening. All through a stylish remote control.

## Direct vent / Balanced flue technology

The Enviro uses direct vent technology to bring outside air into the firebox through the flue system so that the air within your room is not compromised.

The Enviro uses fully flexible flue which can be run vertically through the roof, horizontally through the wall or down through the floor.



## Australian made and owned

The Enviro is an Australian owned product which was designed in Australia for Australian conditions. It is also manufactured in Australia.

## Supporting Landcare

Heatmaster has teamed up with Landcare to support the Habitat 141 project which aims to restore rivers, wetlands, bushlands and wildlife across 3 states in Australia. For every Enviro sold, money will be donated towards this important project. For more information please contact Landcare at [www.landcareonline.com.au](http://www.landcareonline.com.au)

## Heat Output & ducting option

The Enviro has been designed to run so efficiently that it is capable of heating up to 250 square meters and includes an option of ducting a portion of the heat to a second room anywhere in the house.\*

## Programmable thermostat

The Enviro comes standard with a programmable thermostat which allows you to control the heat output into your room. Once set, the thermostat will modulate the flames between a high, medium and low setting to ensure your room reaches and remains at your desired temperature.



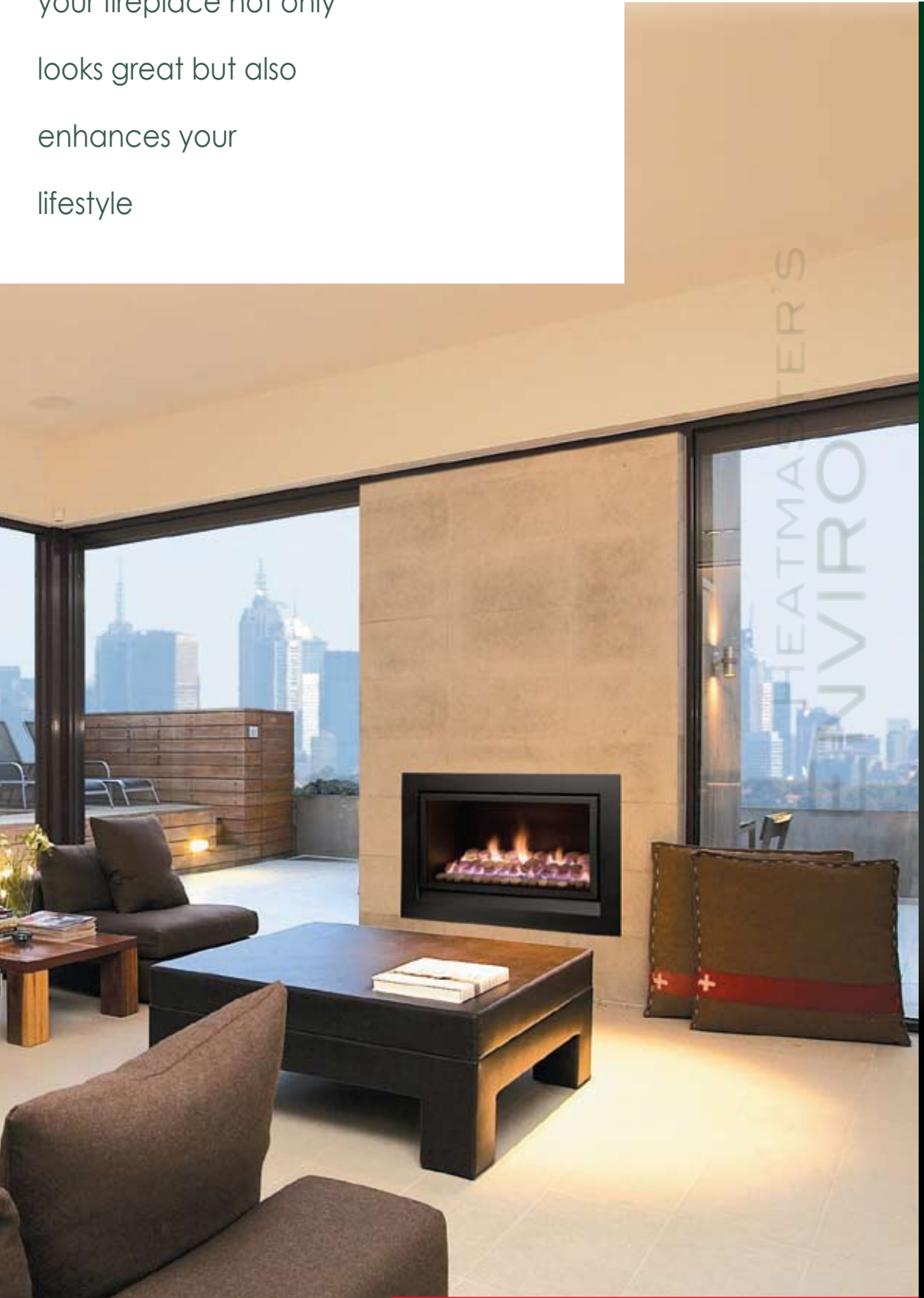
\* The heating capacity will vary depending on room configuration, ceiling heights, windows and insulation



**HEATMASTER**

[www.heatmaster.com.au](http://www.heatmaster.com.au)

For the next generation of  
gas fires it is important that  
your fireplace not only  
looks great but also  
enhances your  
lifestyle



# INSTALLATIONS

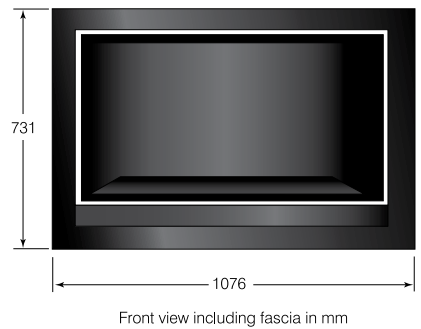
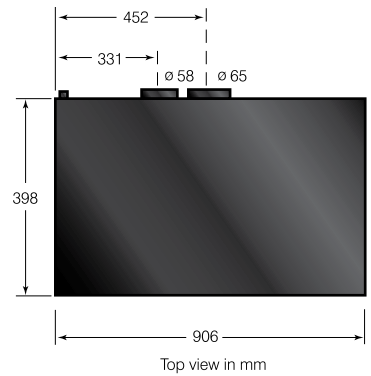
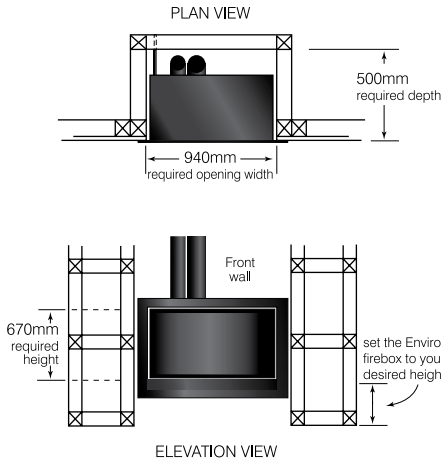
# A breeze

## Firebox dimensions

### Simplicity of Installation

The Enviro's revolutionary design does not stop with the unit. Installation is a breeze with minimal time needed to get you up and running.

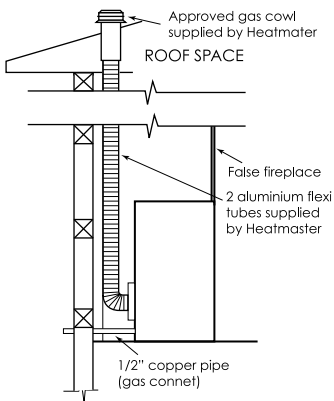
### Framing dimensions



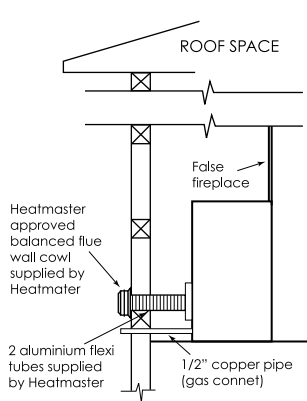
### Direct vent/Balance Flue

The Heatmaster Enviro utilizes two fully flexible flues. The first, a 58mm diameter pipe to expel the gas fumes, the second, a 65mm diameter pipe to bring fresh air into the firebox. These flues have the option to be run through the roof, through the wall or through the floor.

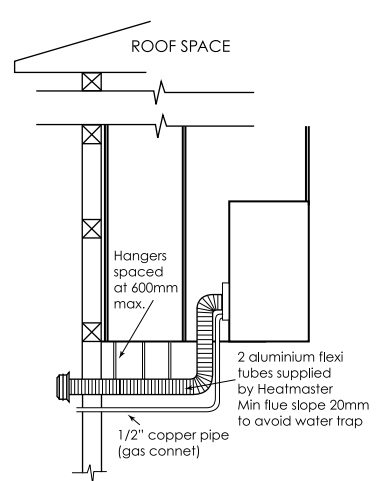
#### Vertical flue on wall



#### Wall penetration with balance flue



#### Internal wall under floor with horizontal balanced flue max length 4.0 metres



### Visit our showroom

2/9 Nicole Close Bayswater Victoria 3153

### Or contact Heatmaster

Ph 03 9761 7130 | Fax 03 9761 7134

[www.heatmaster.com.au](http://www.heatmaster.com.au)



*\*If background noise is low, it is possible to hear the fan which operates the air blowers. This is normal and should not be a cause for concern.*

*\*\*Due to printing and gas source, the images of the unit, flames and surrounds may vary in appearance.*

*\*\*\*Photos and information are for reference only, some details may vary.*

Please contact your heatmaster dealer for full installation details

